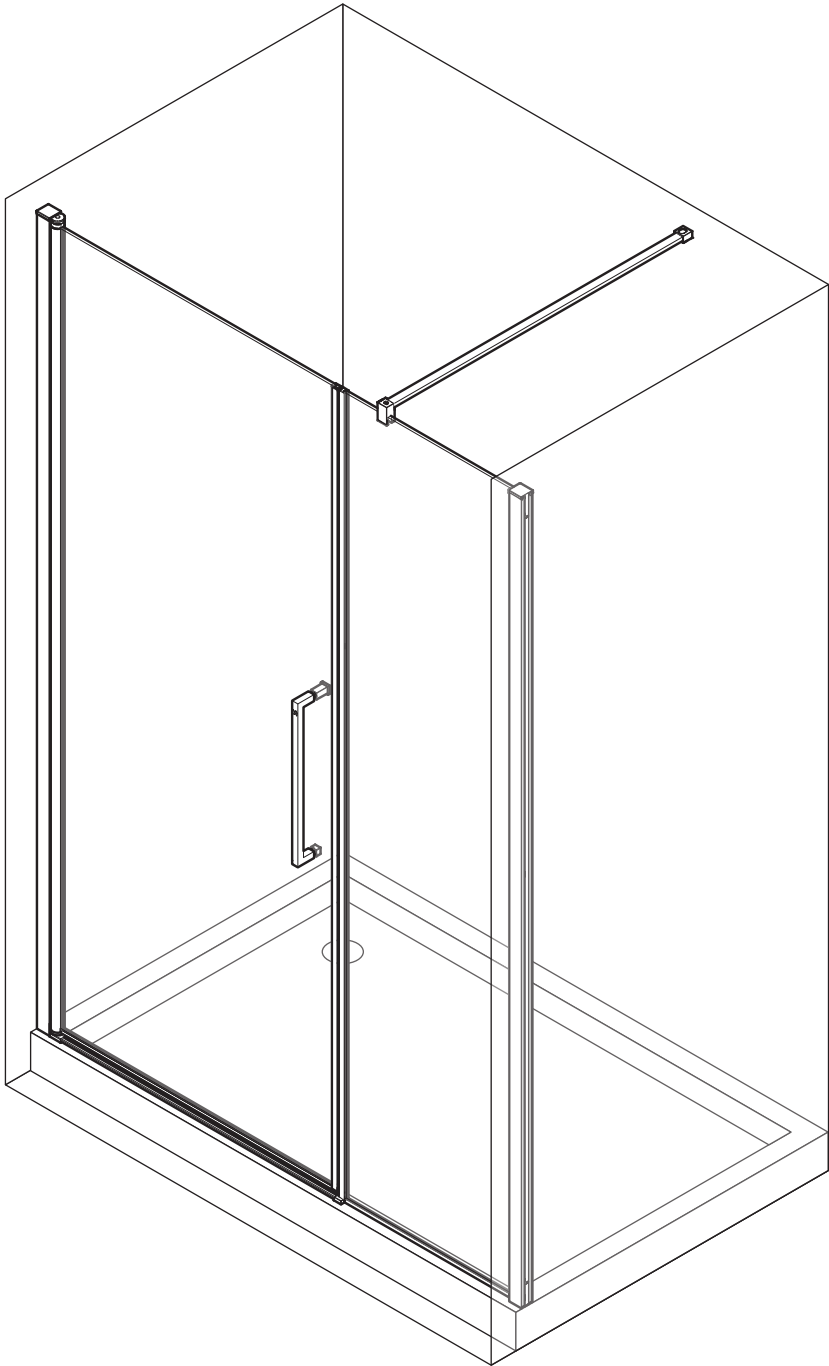


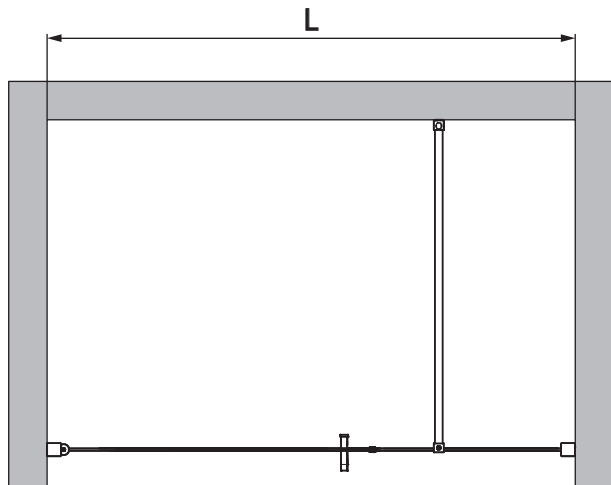
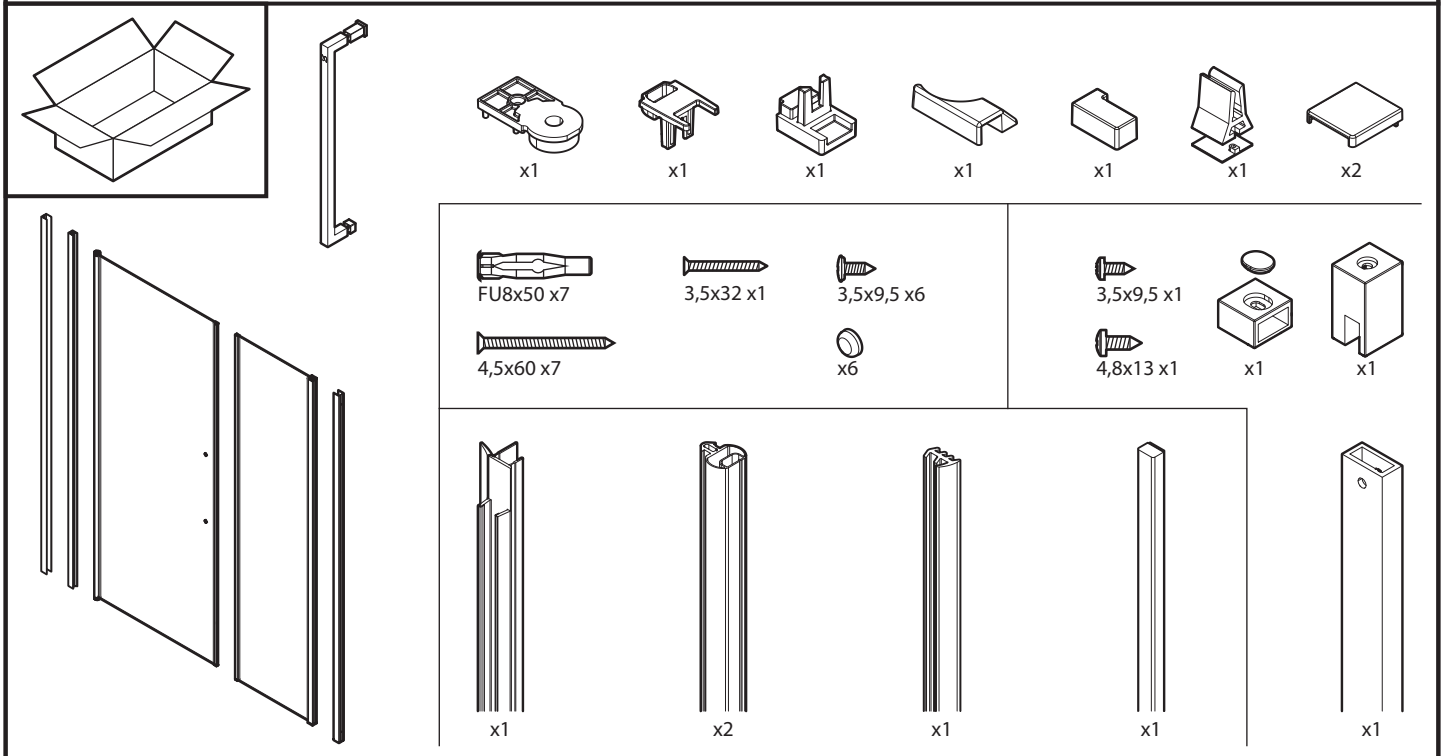
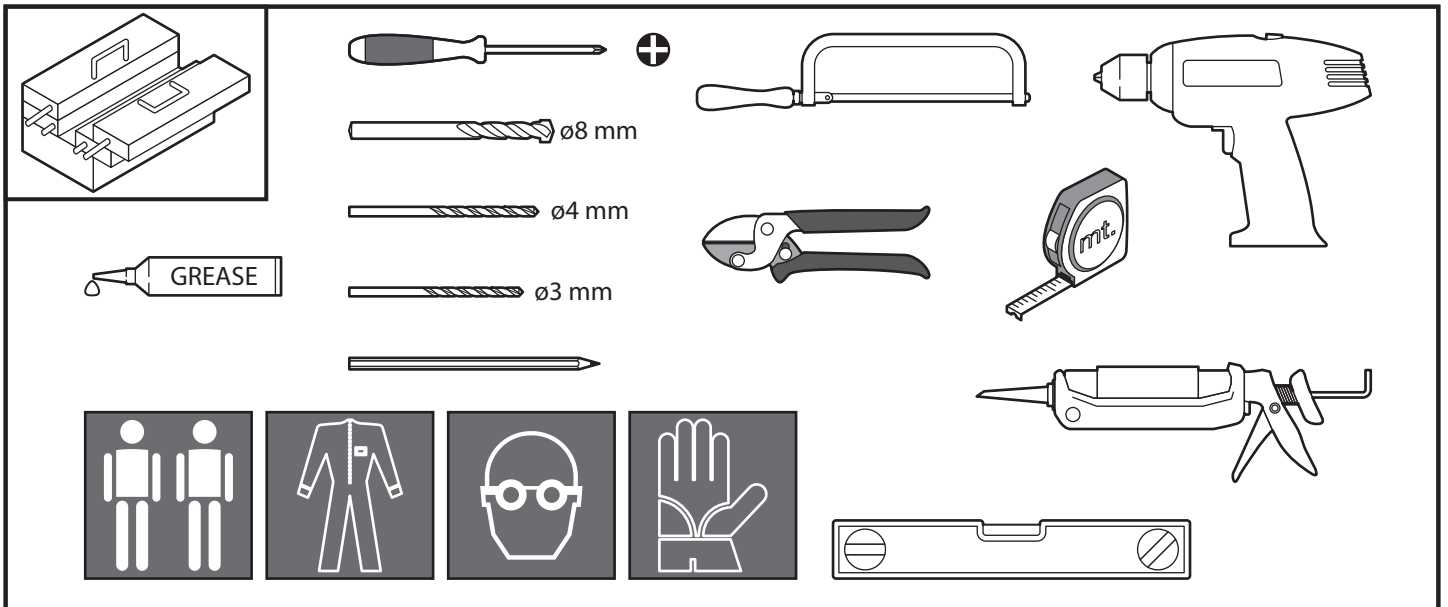
**YOUNG PLUS**



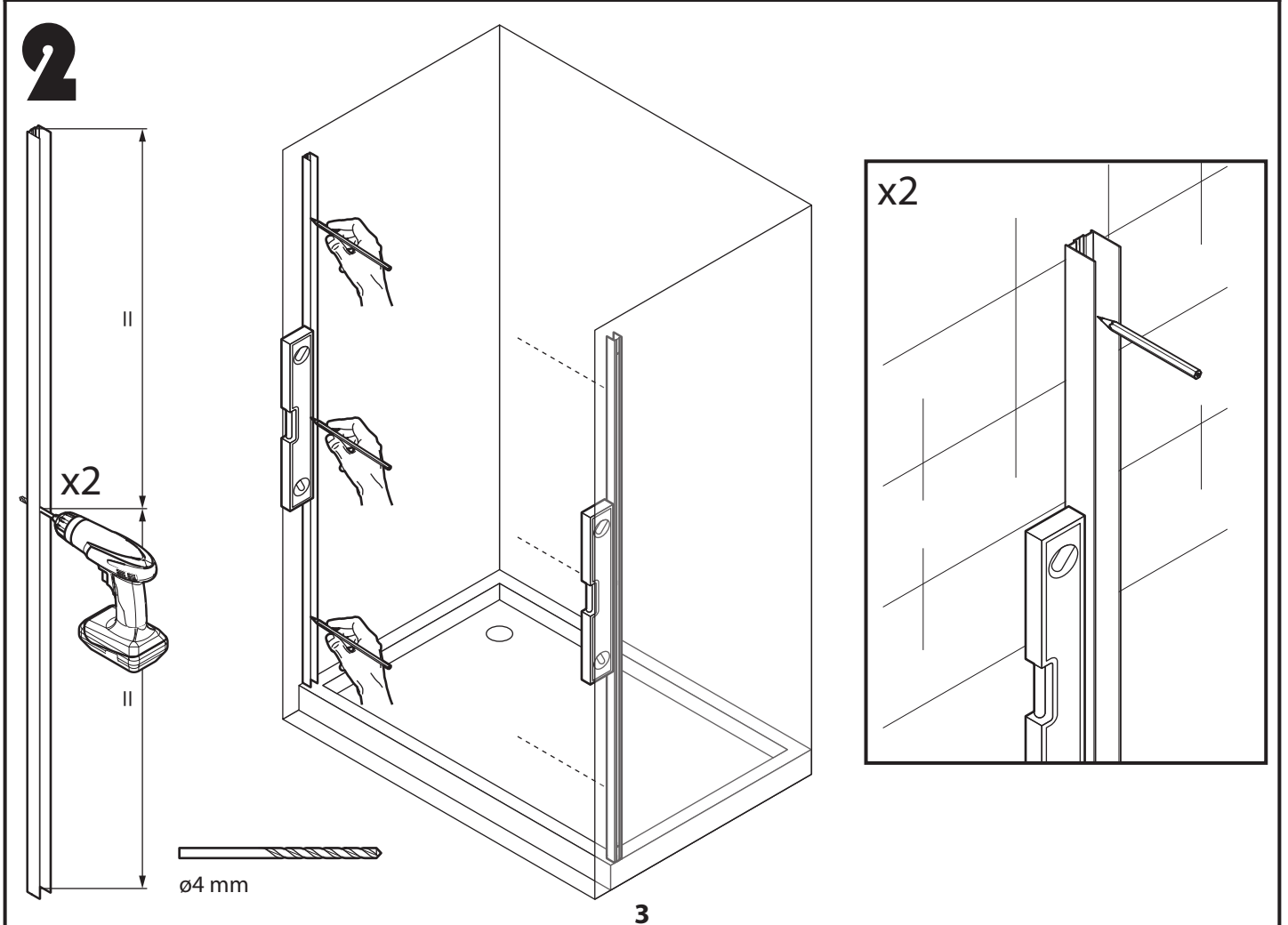
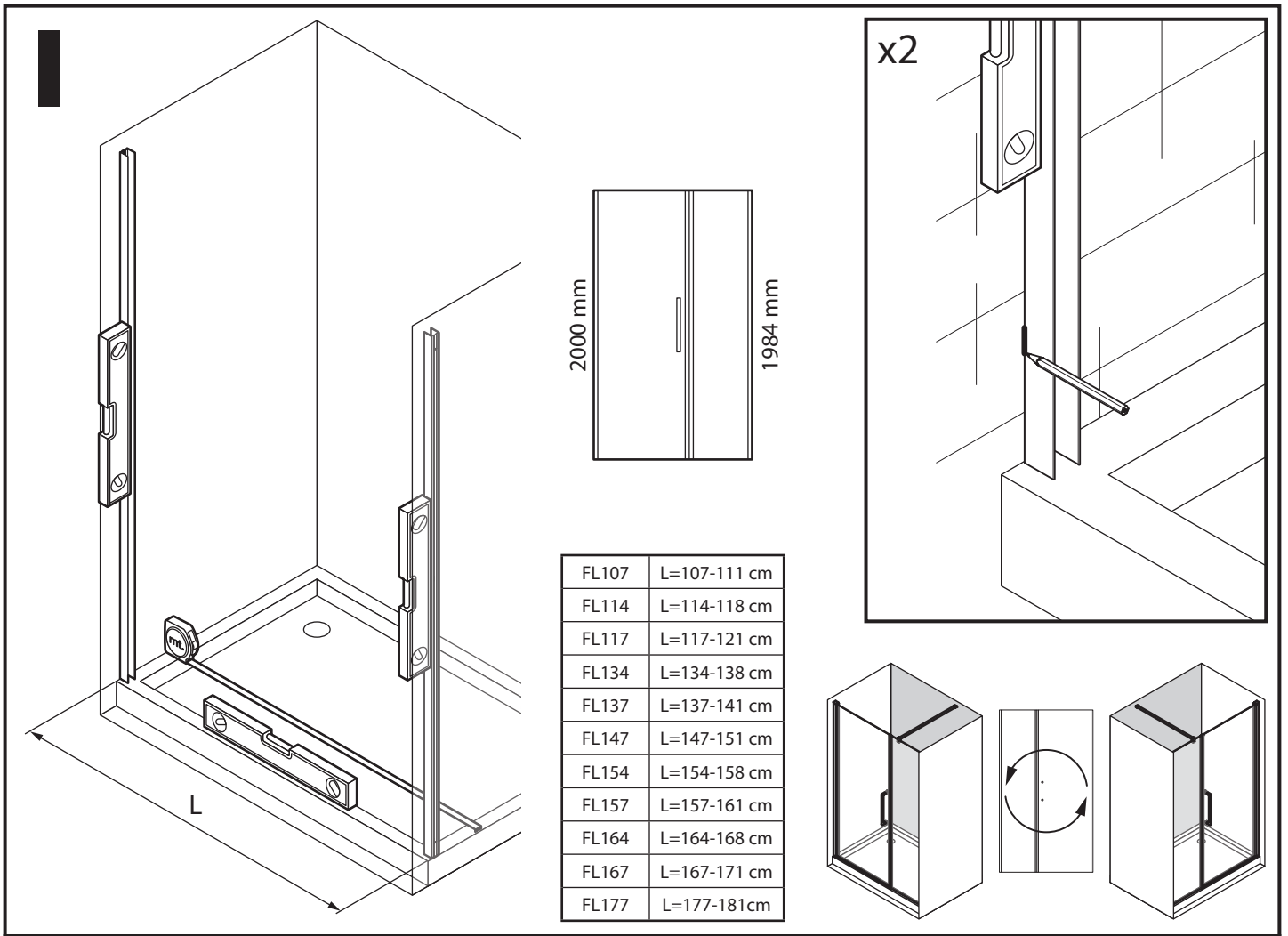
**NOVELLINI**

**FL**



FL107	L=107-111 cm
FL114	L=114-118 cm
FL117	L=117-121 cm
FL134	L=134-138 cm
FL137	L=137-141 cm
FL147	L=147-151 cm
FL154	L=154-158 cm
FL157	L=157-161 cm
FL164	L=164-168 cm
FL167	L=167-171 cm
FL177	L=177-181cm

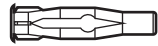
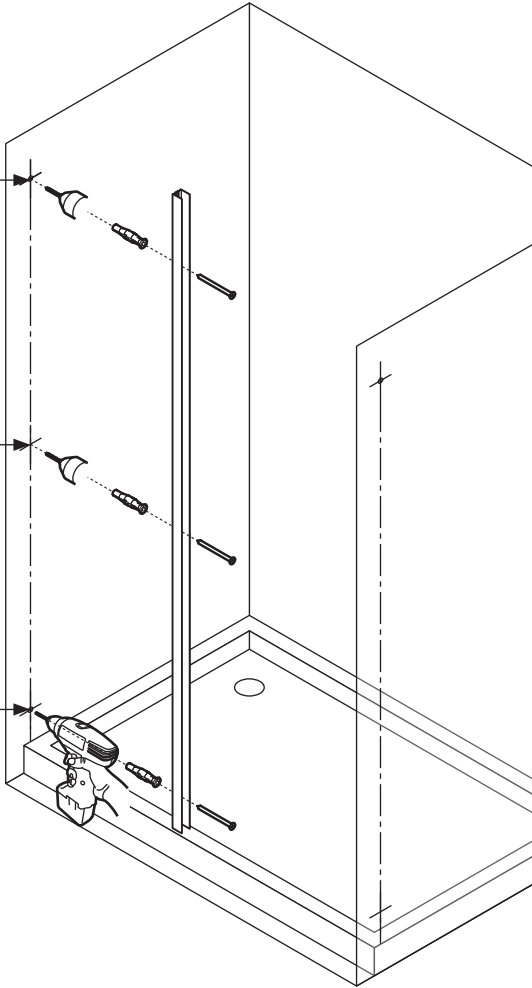


# 3

2°

3°

1°



FU8x50 x3



4,5x60 x3

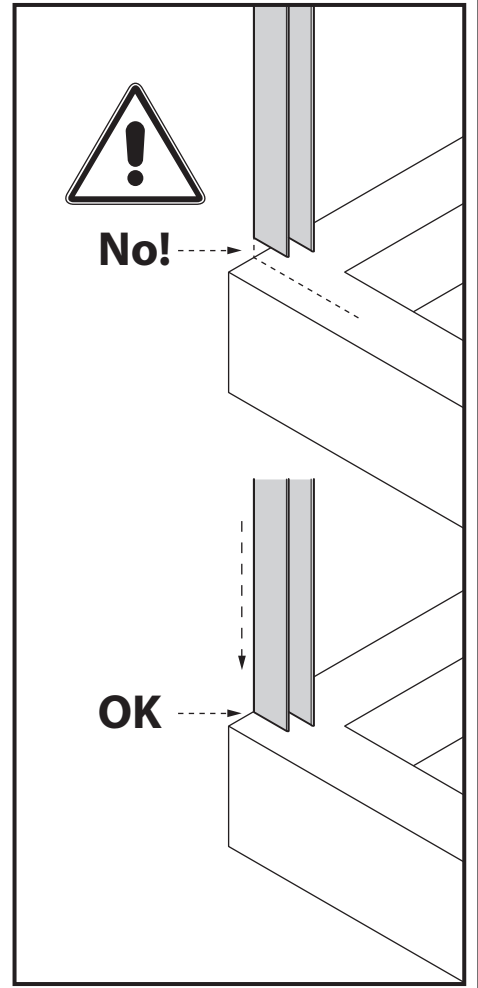


ø8 mm



No!

OK

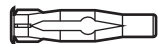
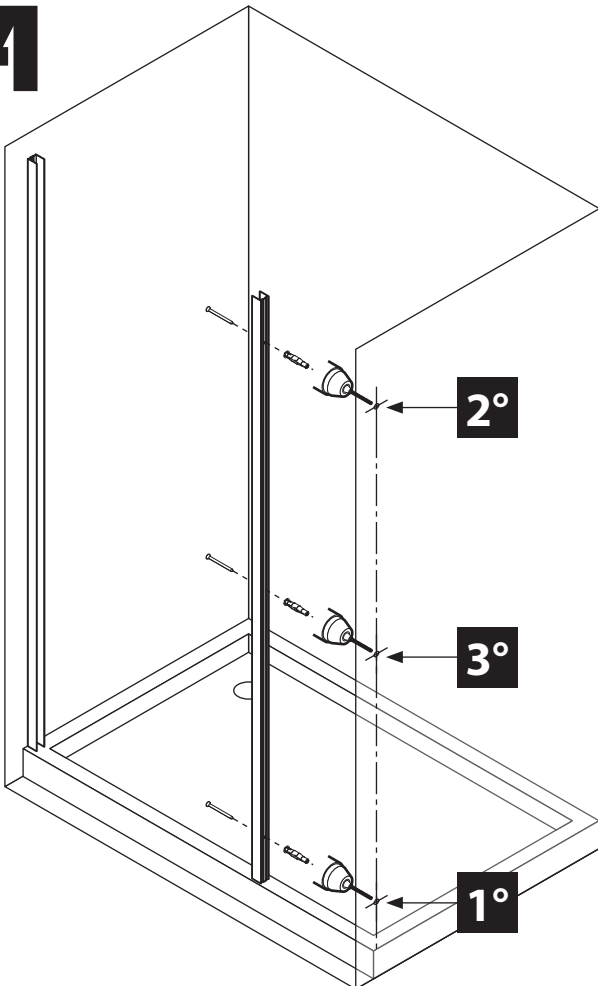


# 4

2°

3°

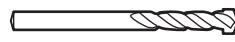
1°



FU8x50 x3



4,5x60 x3



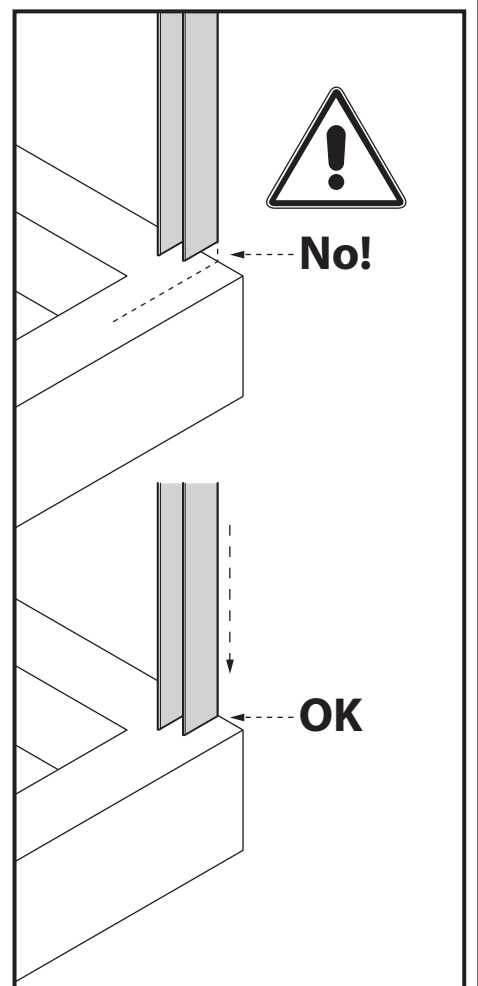
ø8 mm

4

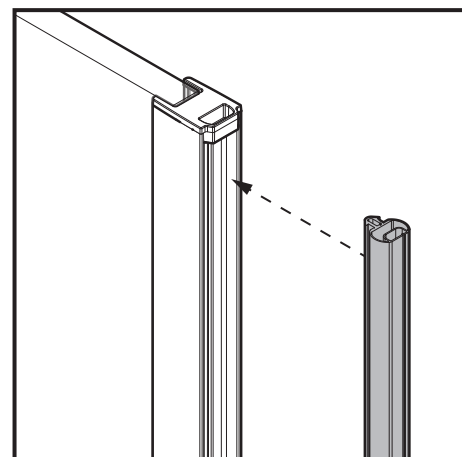
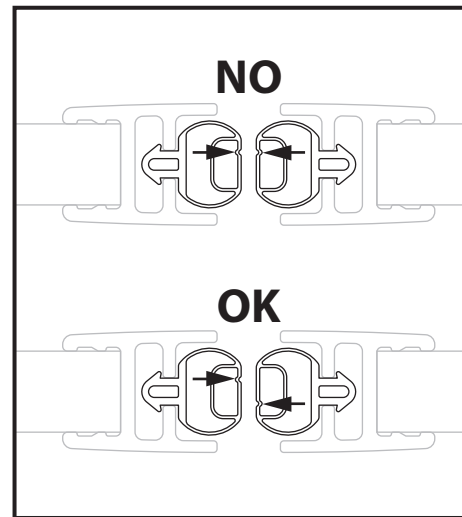
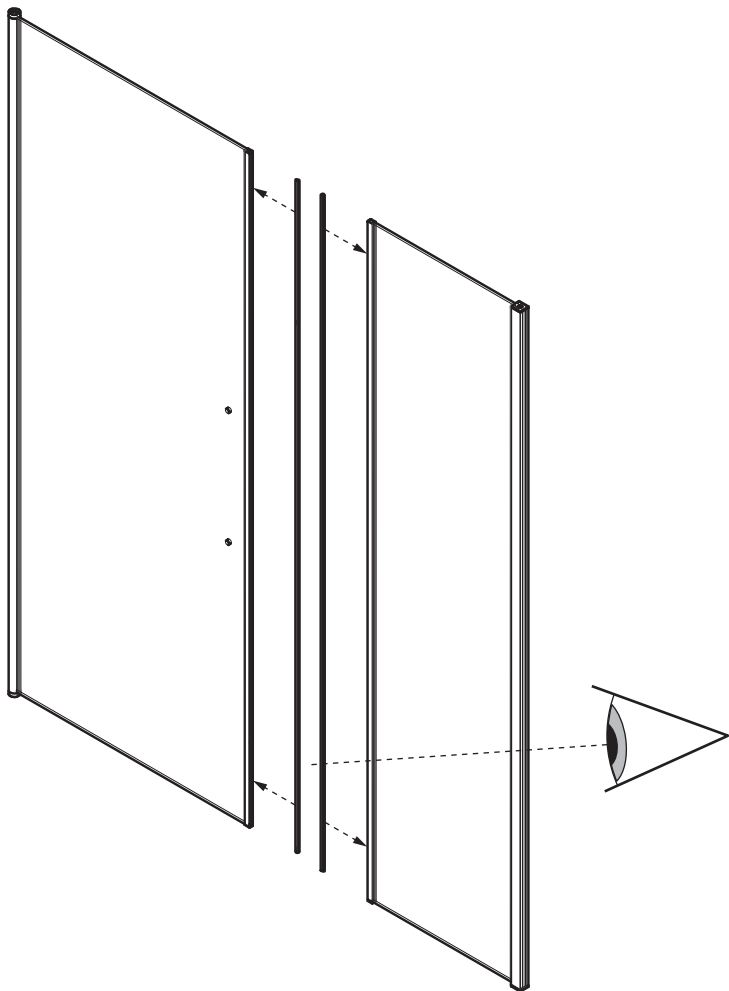


No!

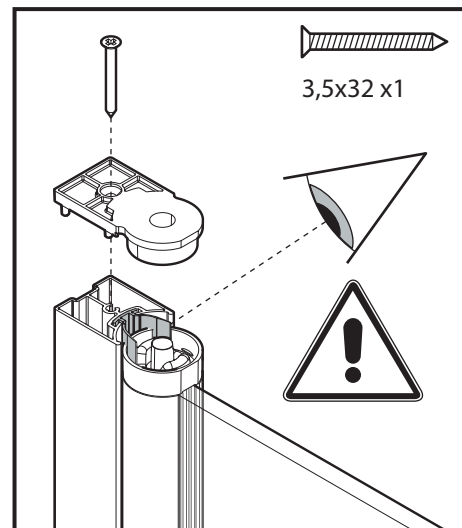
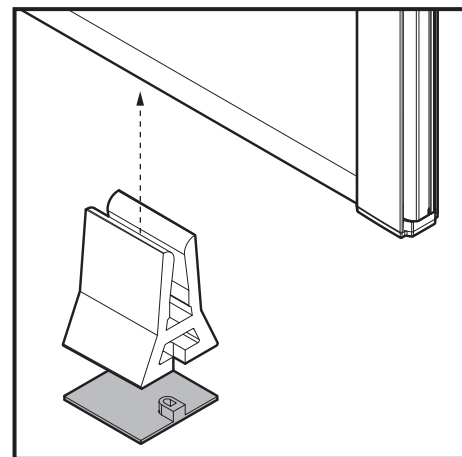
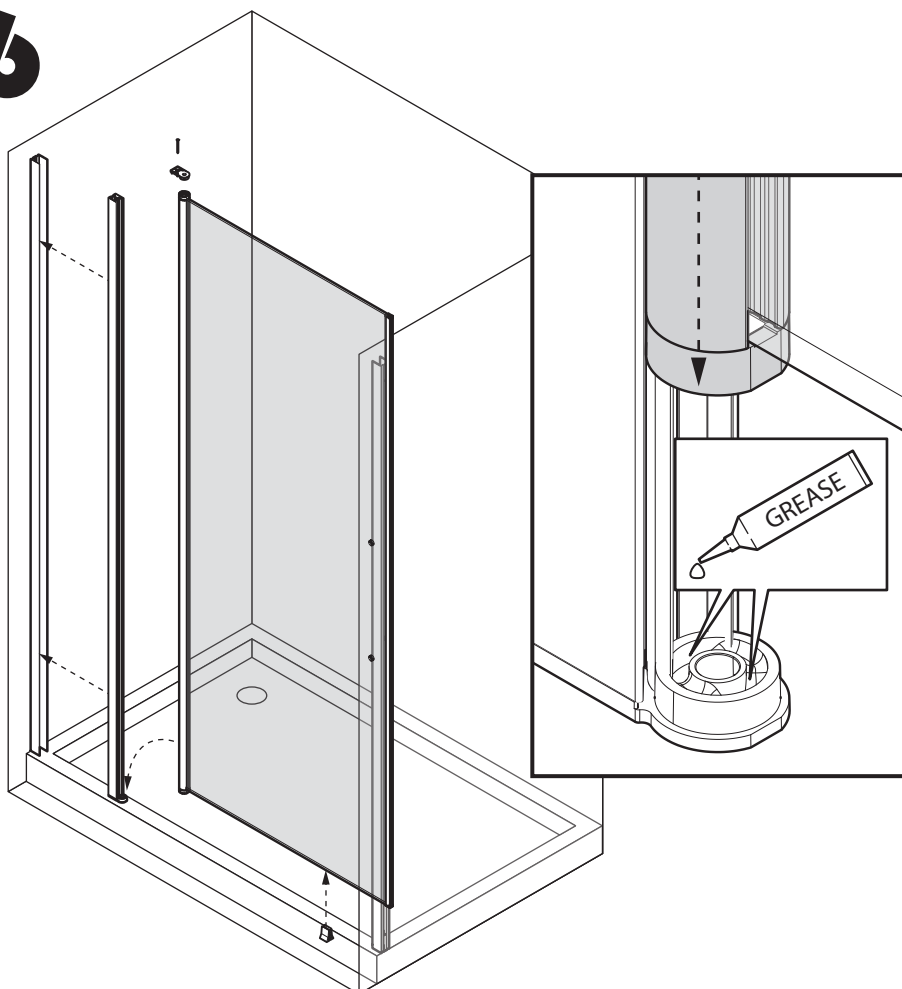
OK



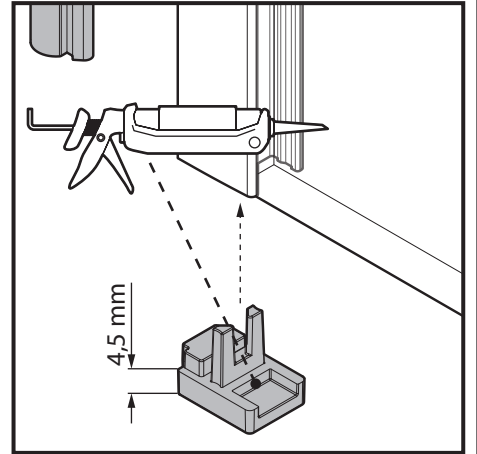
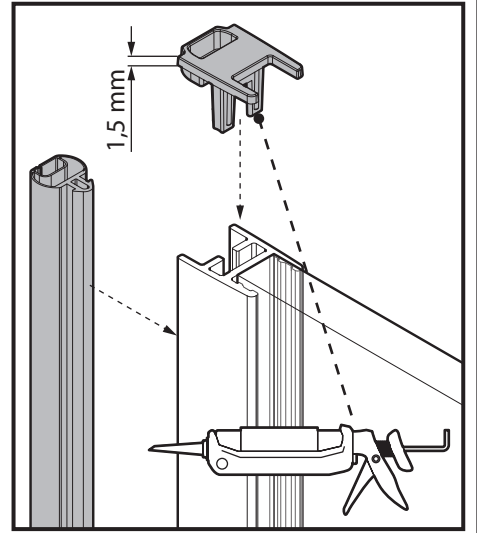
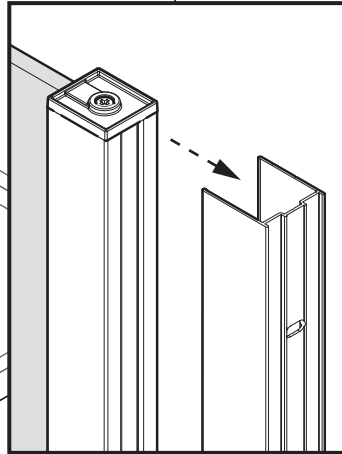
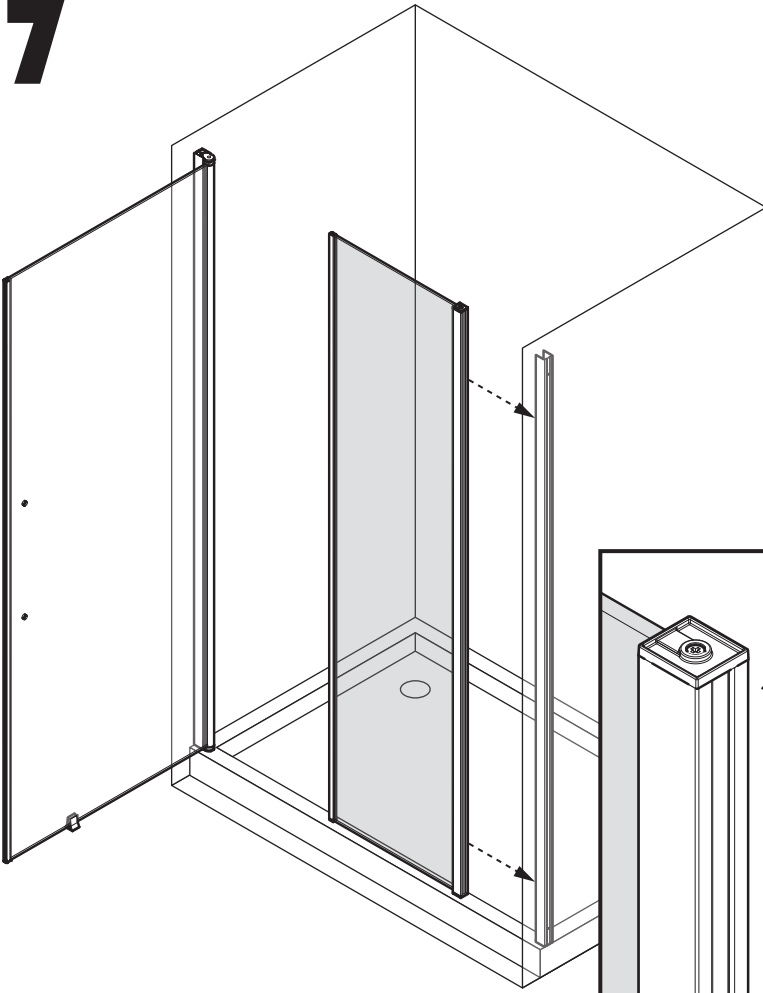
**5**



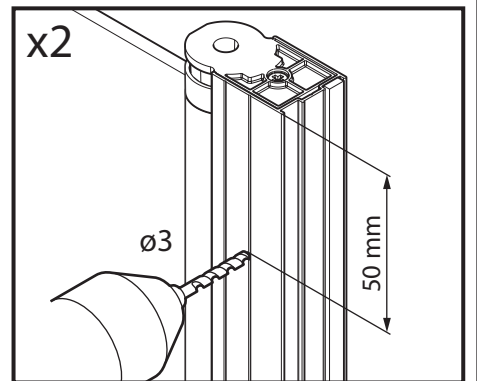
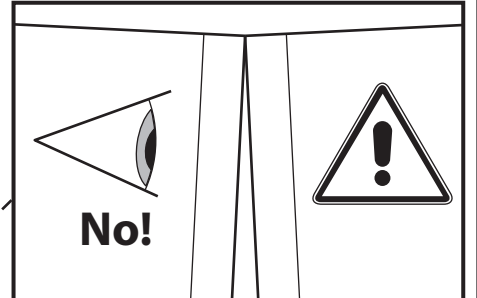
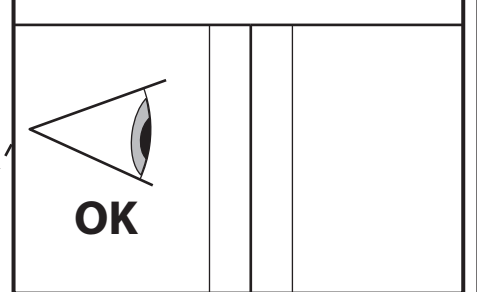
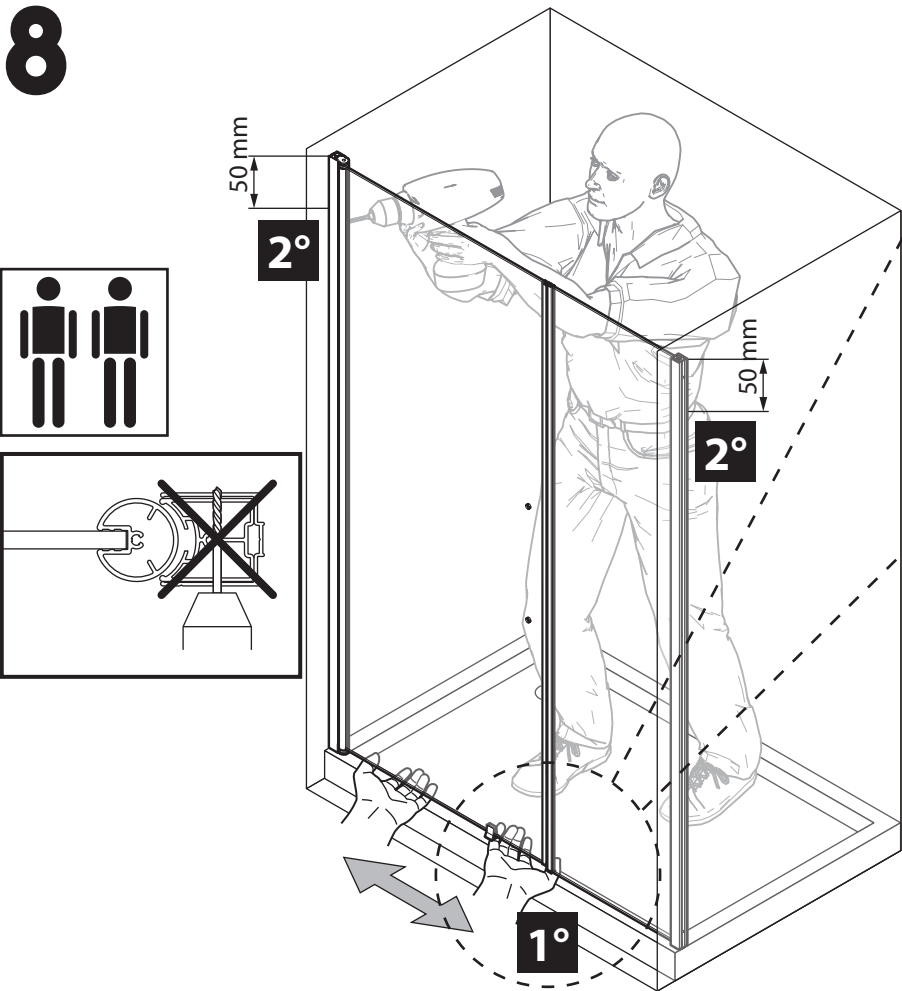
**6**



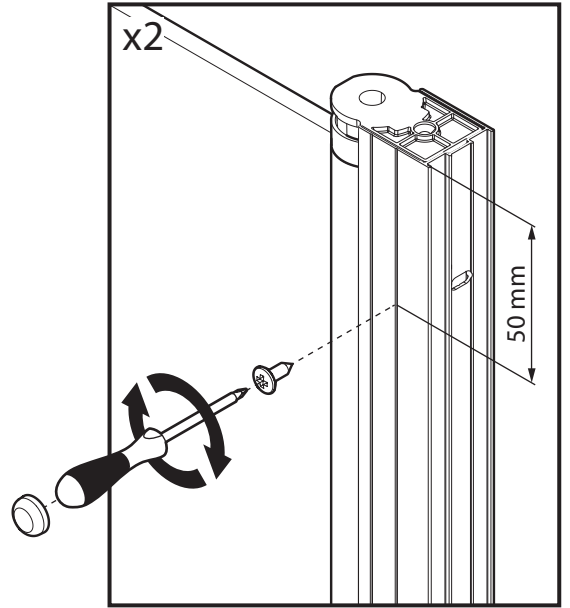
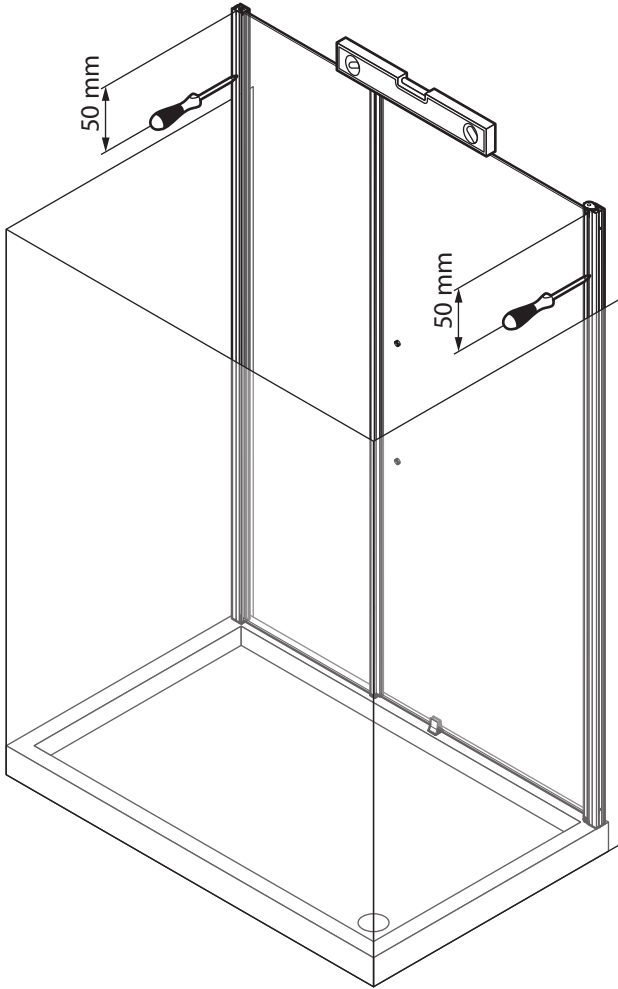
# 7





# 8

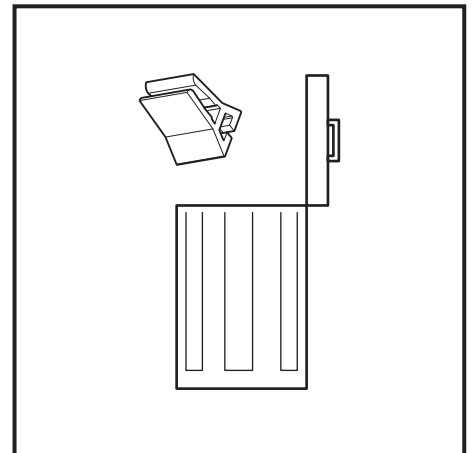
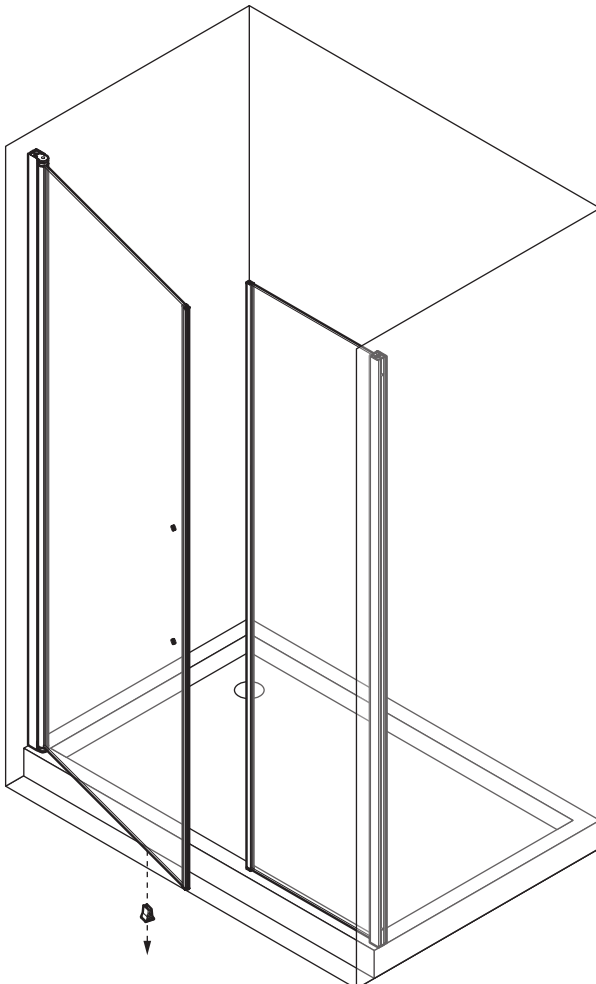


9

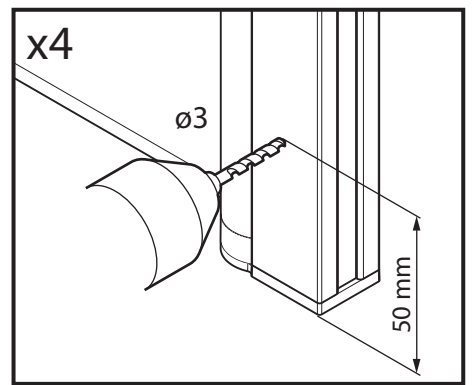
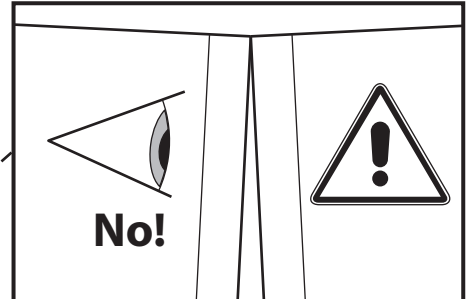
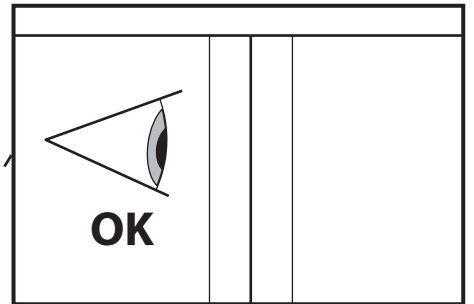
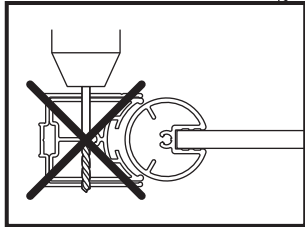
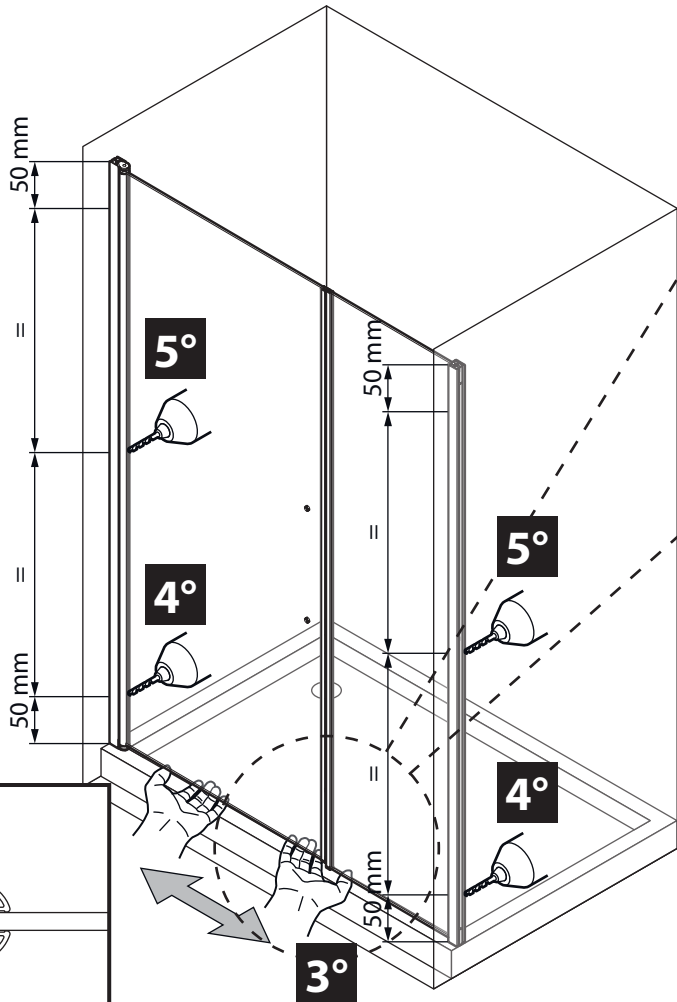


-  3,5x9,5 x2
-  x2

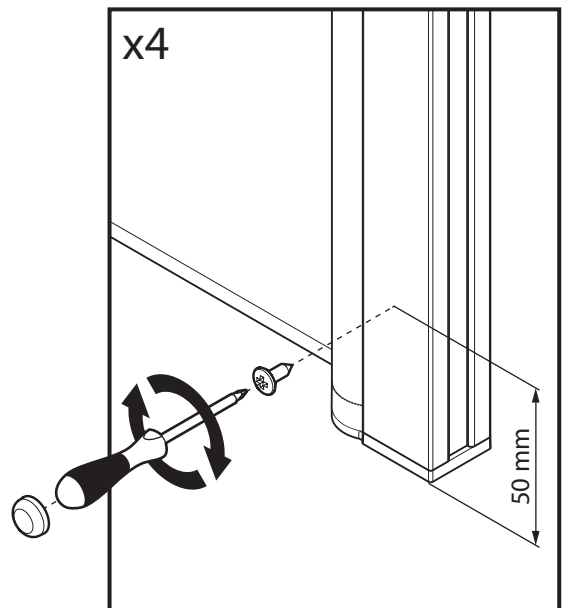
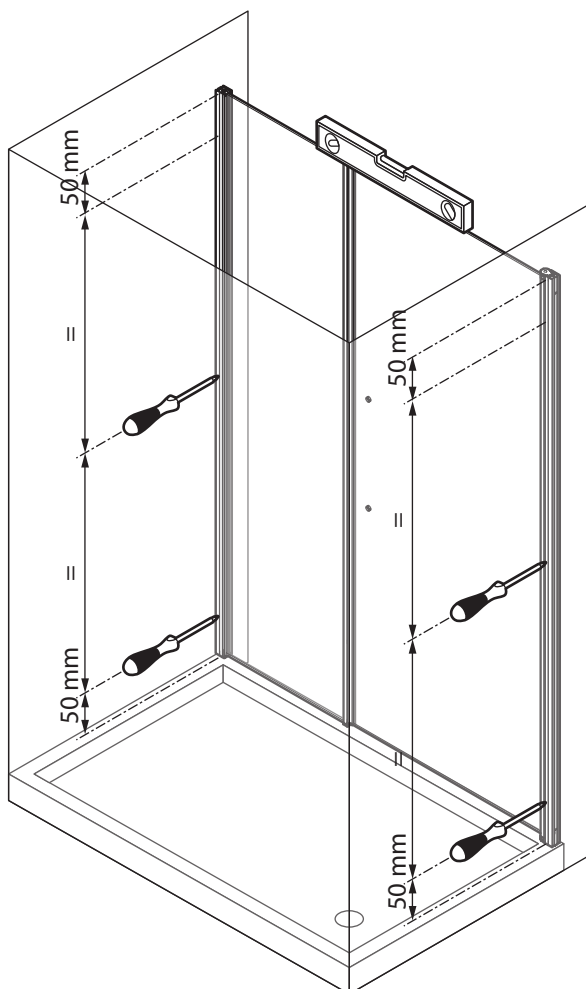
10




**11**



**12**

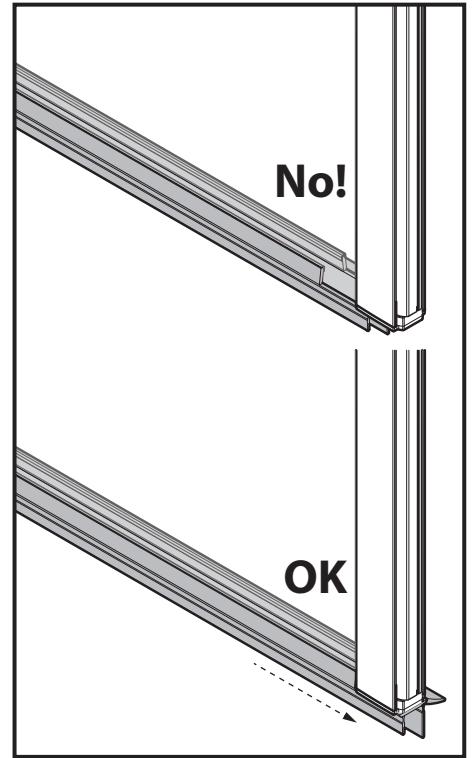
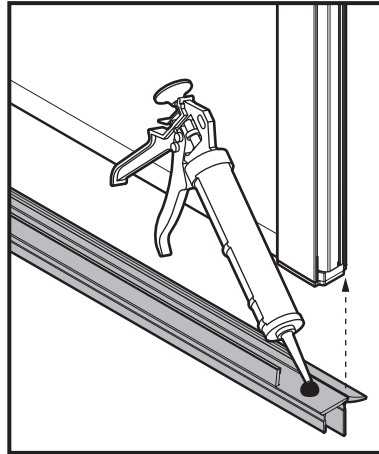
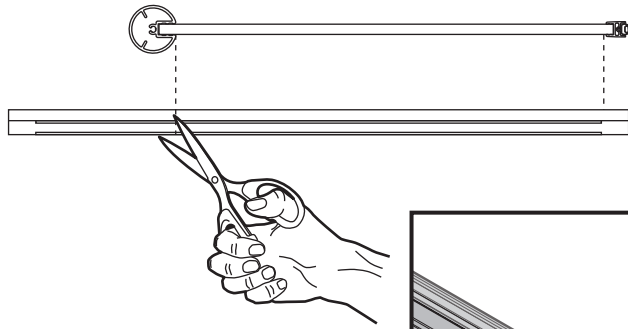
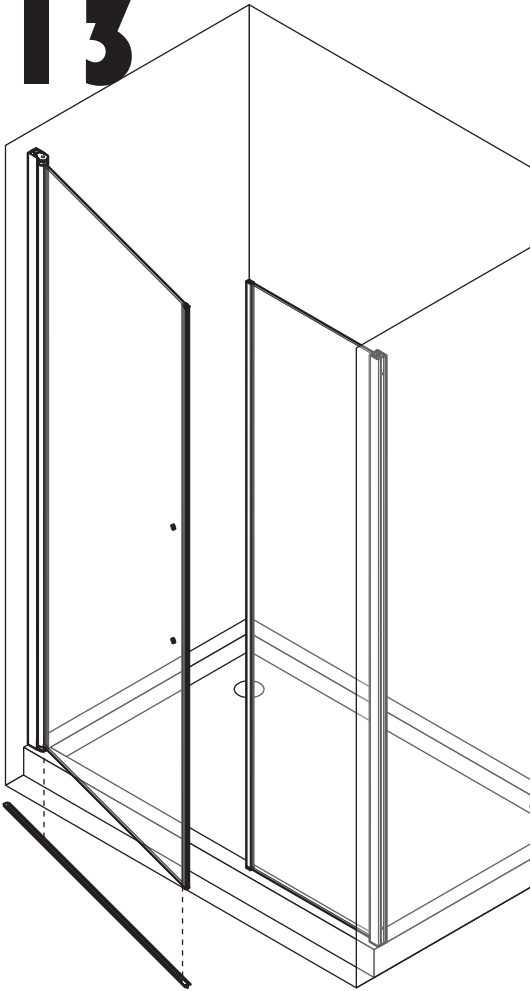


  
3,5x9,5 x4

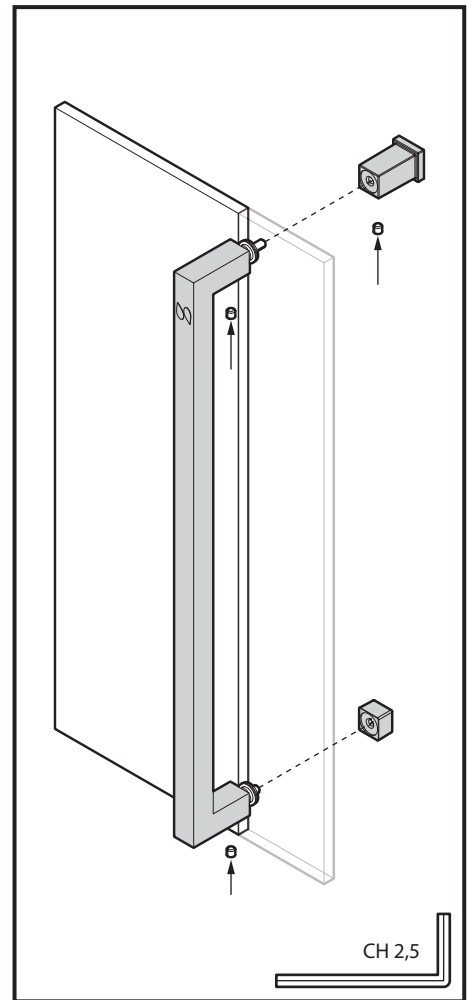
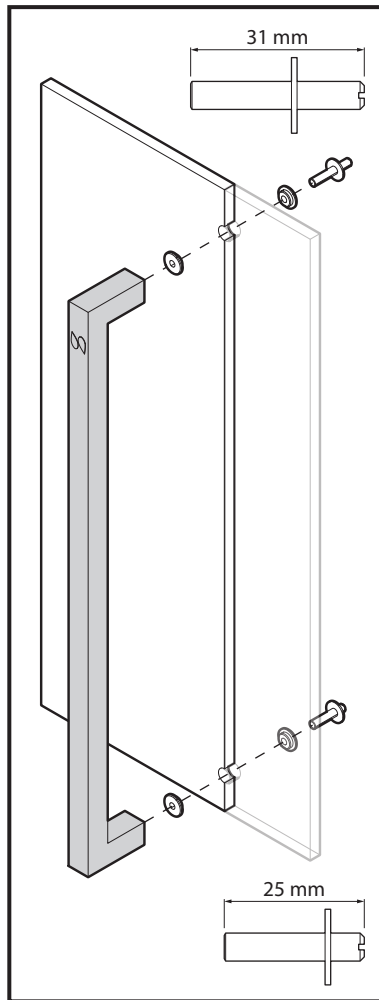
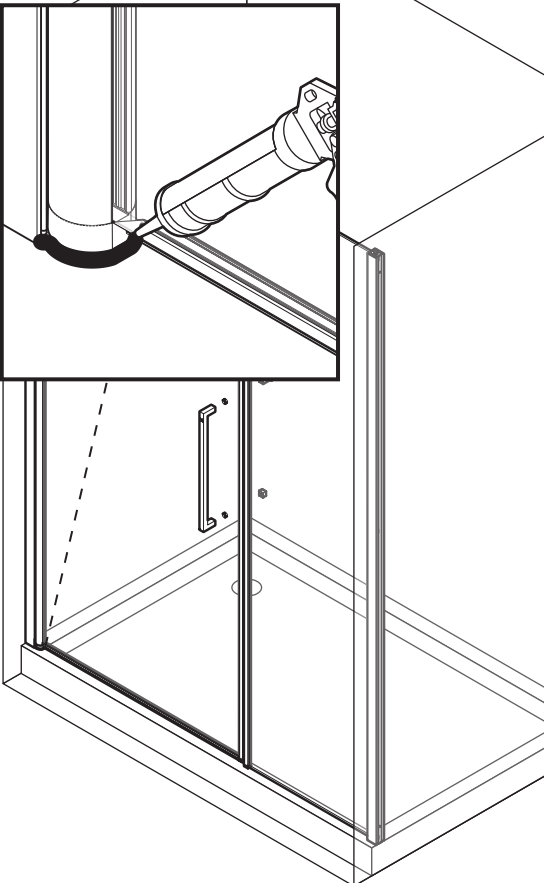
  
x4



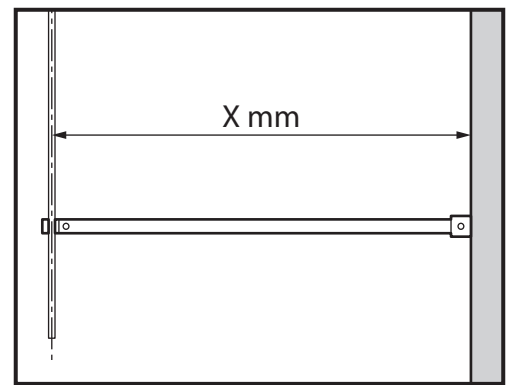
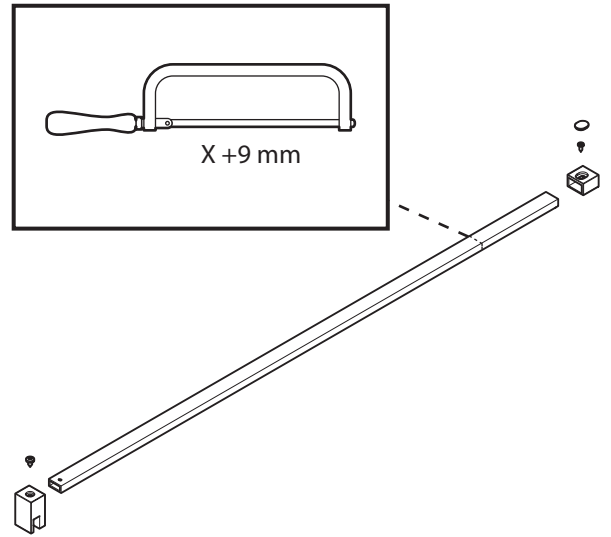
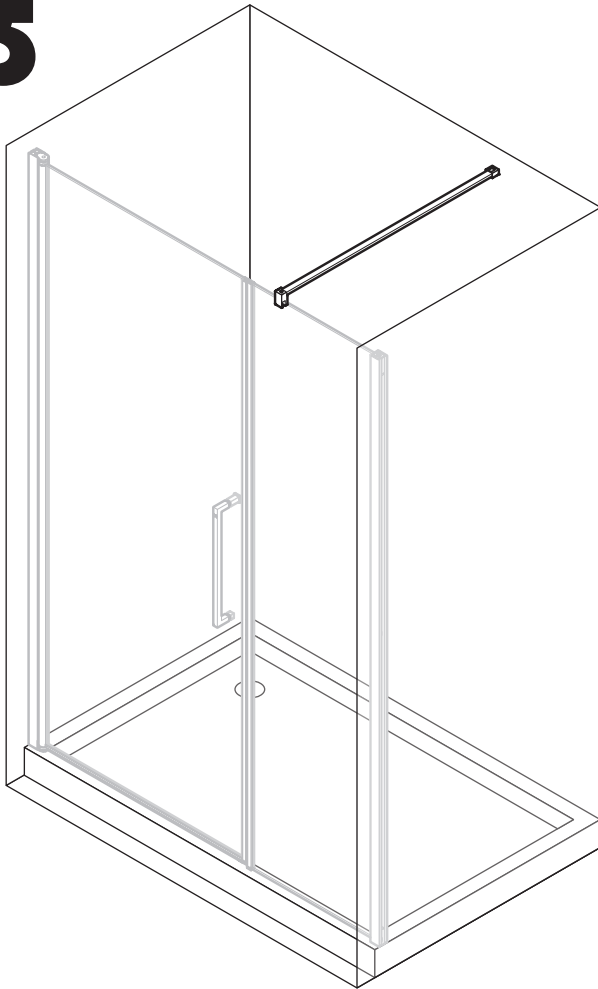
# 13



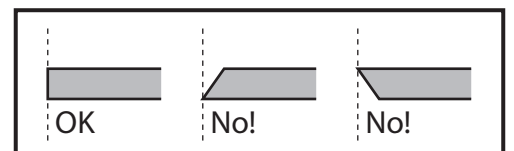
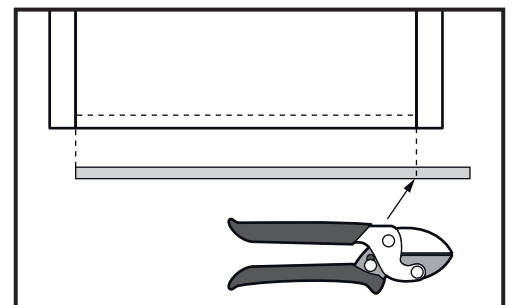
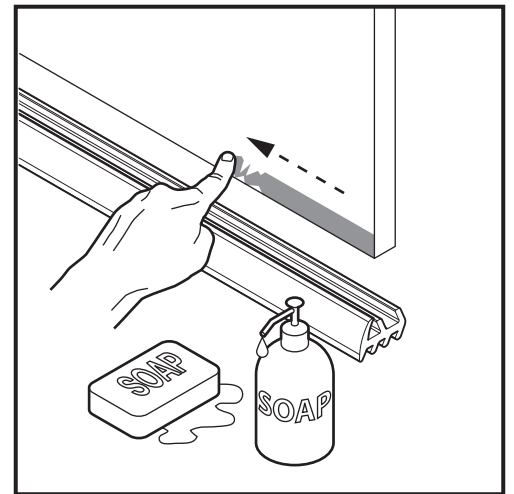
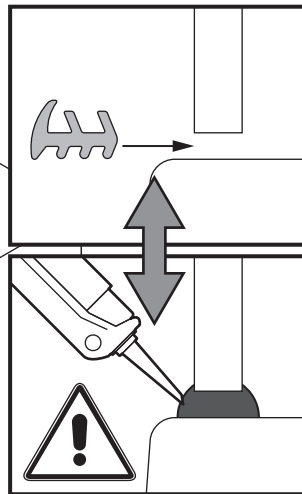
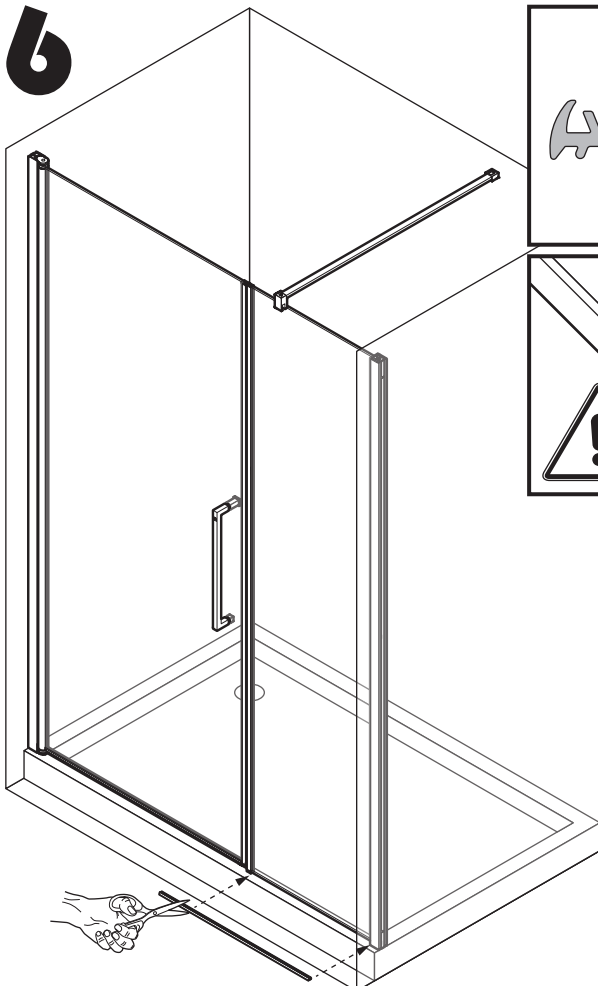
# 14



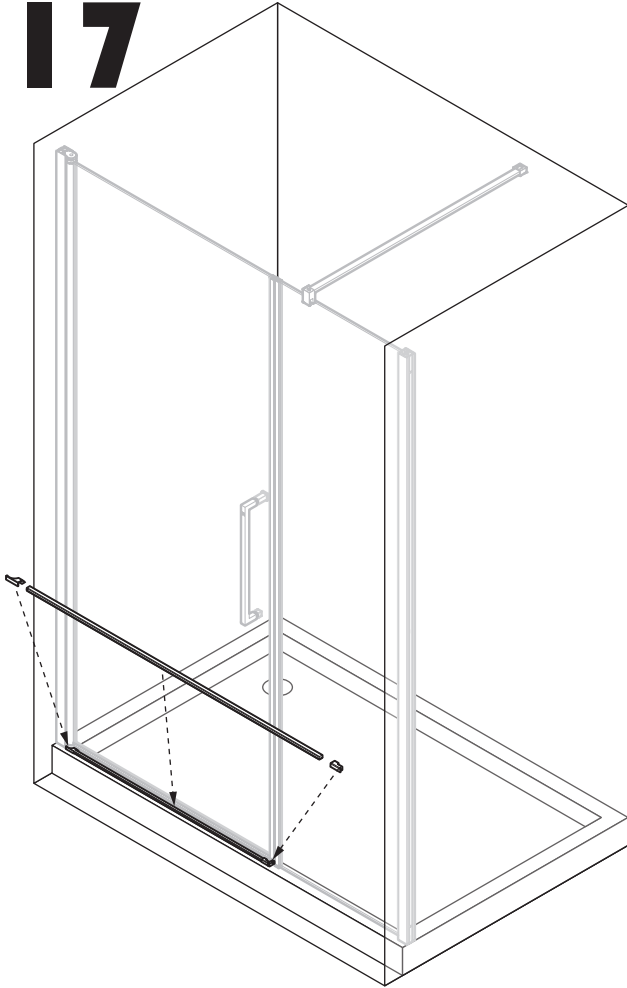
# 15



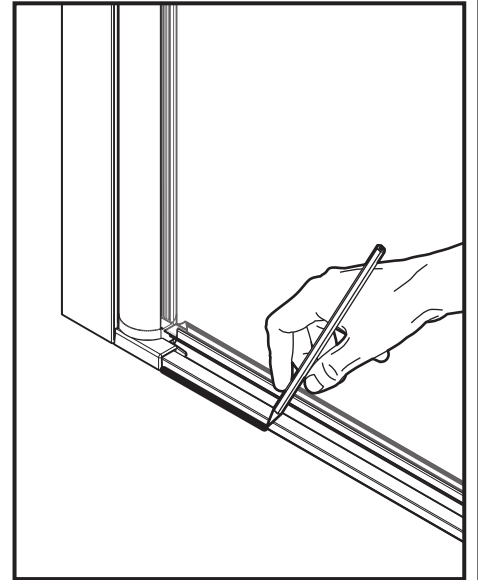
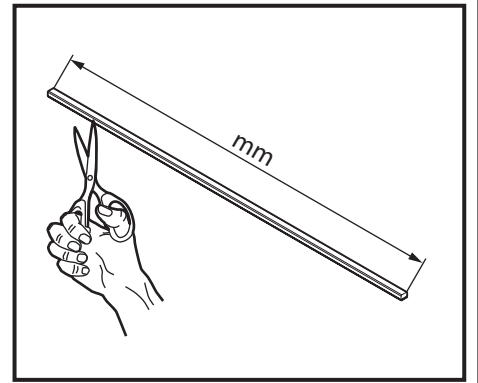
# 16



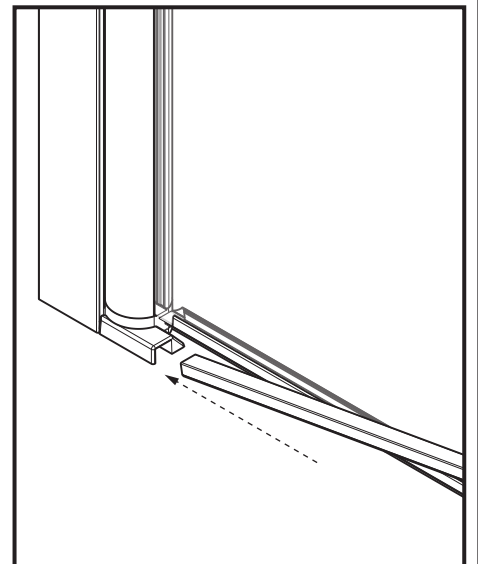
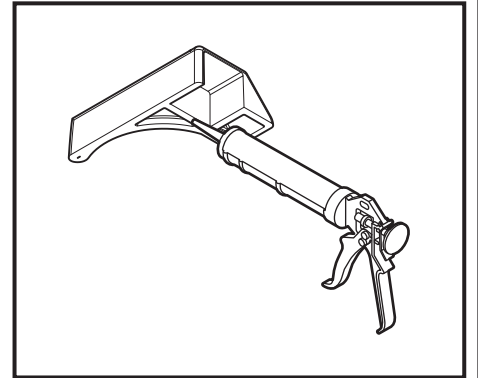
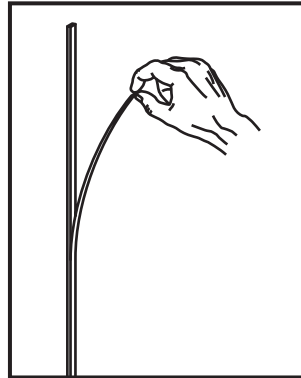
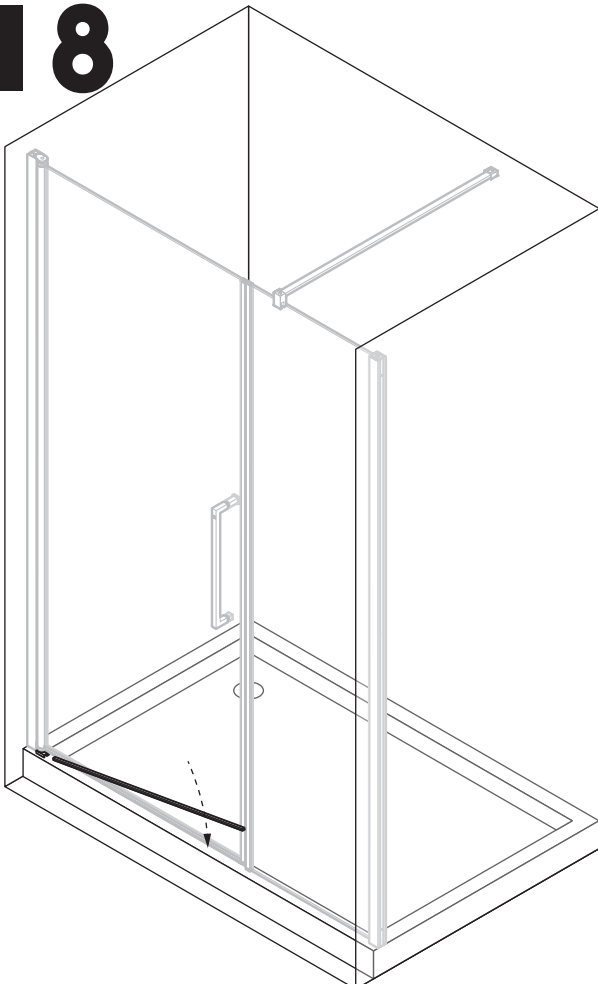
# 17



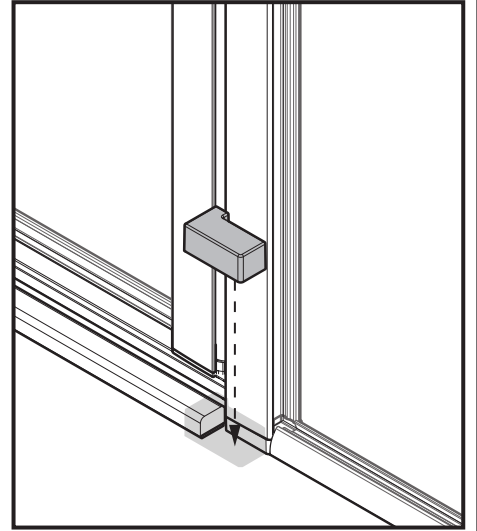
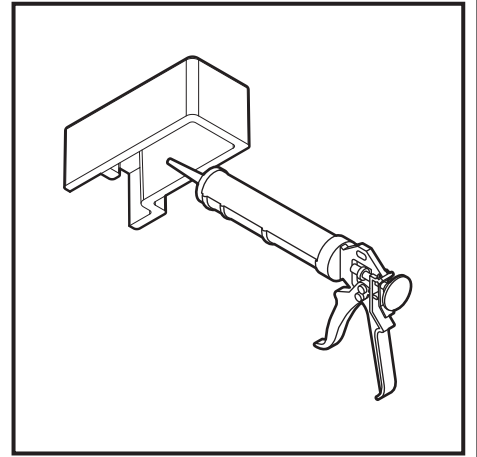
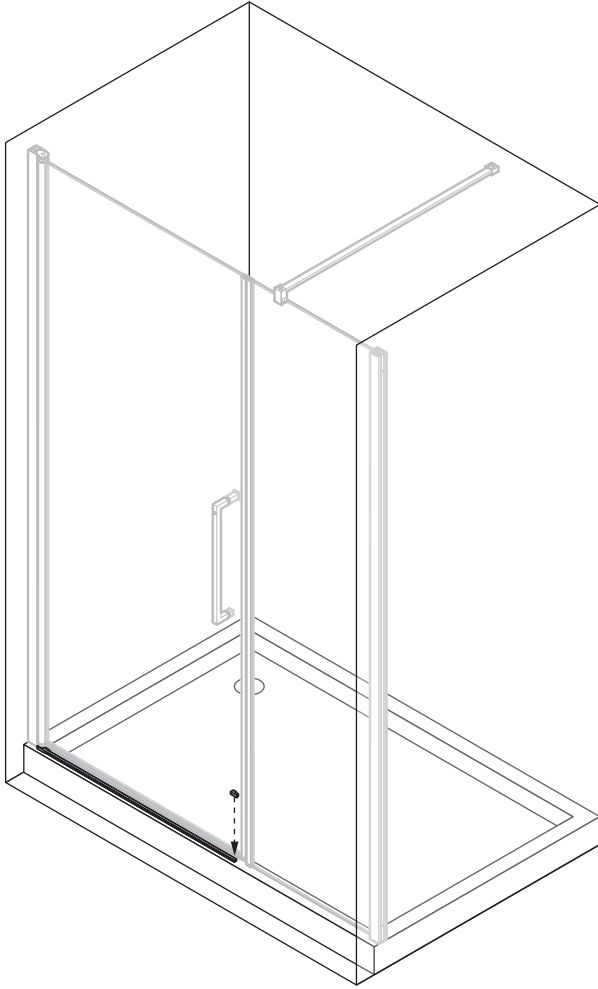
mod. G+FL	mm
107-111	685
114-118	685
117-121	685
134-138	785
137-141	785
147-151	785
154-158	785
157-161	885
164-168	885
167-171	885
177-181	885



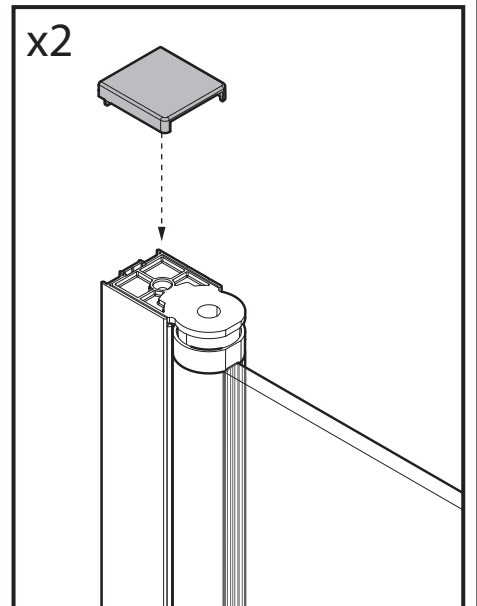
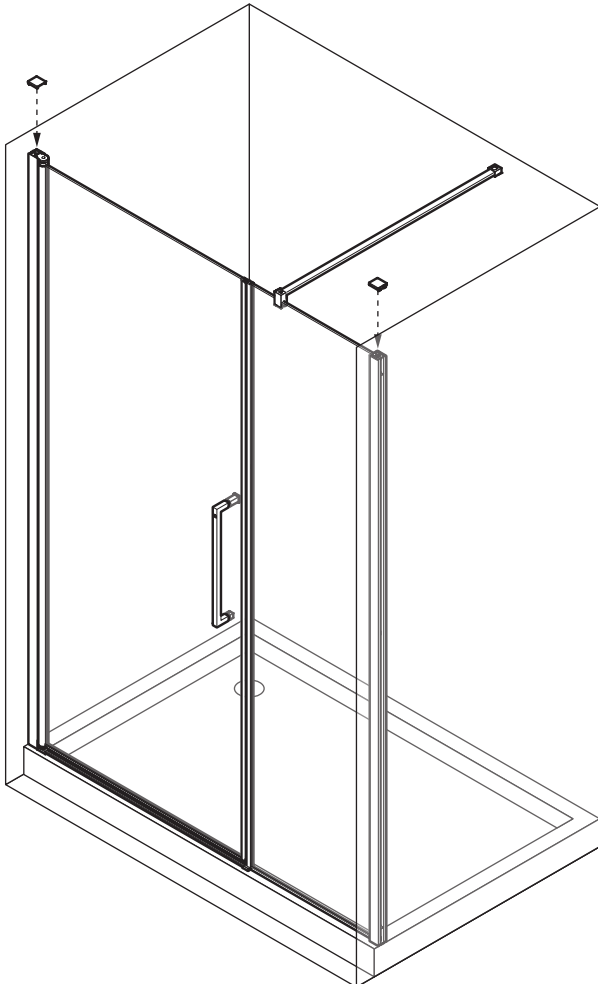
# 18



# 19



# 20



# 21

