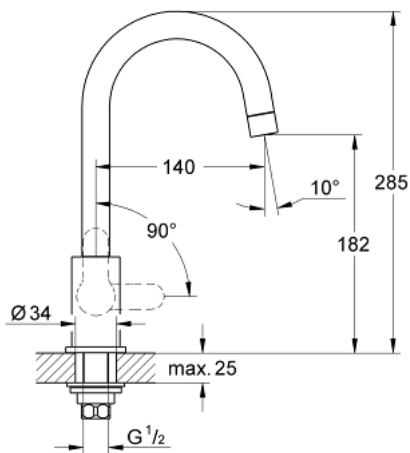


31 223 000 **BAUEDGE SINK TAP 1/2"**

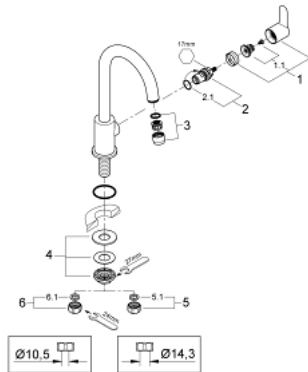


PRODUCT DESCRIPTION

- Colour: chrome
- single hole installation
- metal lever
- ceramic headpart 1/2", 90°
- swivel tubular spout
- mousseur
- GROHE Long-Life finish
- fixation nut



31 223 000 BAUEDGE SINK TAP 1/2"



SPARE PARTS, June 2010 – now

1: Handle (Order-nr. 48142000)

1.1: Replacement handle connection kit (Order-nr. 45186000)

1.1.1: O-ring $\varnothing 18.2 \times \varnothing 1.7$ (Order-nr. 0392400M)

2: Ceramic headpart, 1/2" (Order-nr. 45882000)

2.1: O-ring $\varnothing 18.2 \times \varnothing 1.7$ (Order-nr. 0392400M)

3: Mousseur (Order-nr. 13928000)

4: Shank mounting kit (Order-nr. 45004000)

5: Coupling nut 1/2" x 14.5 mm (Order-nr. 1290200M)

5.1: Fibre seal dia. 12x2 mm (Order-nr. 0138900M)

6: Coupling nut 1/2" x 10.5 mm (Order-nr. 1290100M)

6.1: Fibre seal dia. 12x2 mm (Order-nr. 0138900M)