

# Self-leveling spacers

## Leveling system for ceramic tiles

Leveling system for ceramic tiles. Eases ceramic tile laying and guarantees a perfectly flat surface of the final installation. The system consists of a new type of spacer with adjustable height that levels the surrounding tiles and prevents them from moving. Especially recommended when tile, design or use features demand a perfect finish, with an even, seamless surface.

Given the importance of the caliber of the self-leveling spacers when tiling, PORCELANOSA manufactures and controls the quality of all the spacers and wedges of this system.

### Recommended use

Minimum joint tile installations

Rectified tiles

Large format tiles

Extra-large format and minimum thickness tiles

Staggered joint coverings

Bonded façades

### Installation guide

The butech levelling system has been developed for the application of adhesive with notched trowel and back-butter method.



#### 1. Placing the spacer

Once the tile laid, clean the excess material and insert the spacer of the chosen width between the tile and the adhesive. It is recommended to place the spacer base the closest possible to the back of the tile.



#### 2. Leveling the tile

Place the spacers on the tiles' corners, with a 50 mm offset from each corner. For large format tiles, it is recommended to place more than a spacer per side. Check that the tiles are even and there are no ledges between them.



#### 3. Placing of the wedge

Insert the wedge in the spacer until it fits tightly.

In tiles of thickness less than 6 mm use the XLIGHT rise.



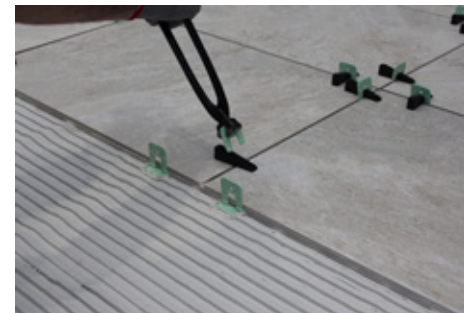
#### 4. Adjusting the leveling tool

Adjust the leveling tool to the thickness of the tile.



#### 5. Joining the spacer and the wedge

When the adhesive is still fresh, press the wedge into the spacer until it fits completely. Check that the adjacent tiles are at the same height.



#### 6. Breaking of the spacer

Once the adhesive set and prior to sealing the joints, break the spacer with a pliers. The wedge will be reusable in other jobs.

# Self-leveling spacers

## Coverage of self-leveling spacers

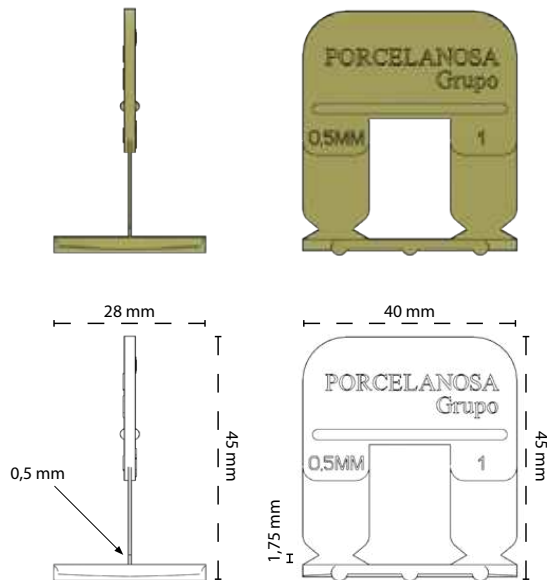
		FLOOR TILES																	
Lenght 1 (cm)	14,3	16,5	19,3	19,3	22	25	29,4	29,4	29,7	33	40	45	59,6	59,6	59,6	80	100	120	
Lenght 2 (cm)	90	150	120	180	90	150	120	180	59,6	66	80	90	59,6	120	180	80	100	120	
Spacers/m <sup>2</sup>	39	25	26	21	26	16	18	14	23	26	16	13	12	9	7	10	6	6	

		WALL TILES				
Lenght 1 (cm)	31,6	31,6	33,3	45	59,6	
Lenght 2 (cm)	59,2	90	100	120	150	
Spacers/m <sup>2</sup>	22	18	16	12	7	

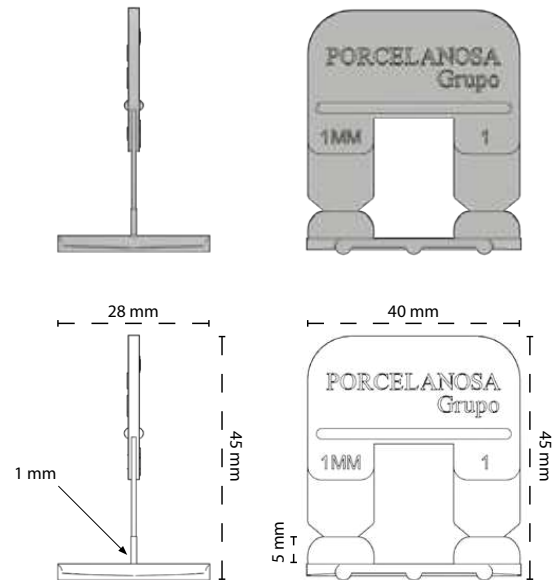
		XLIGHT		
Lenght 1 (cm)	120	120	150	
Lenght 2 (cm)	120	270	300	
Spacers/m <sup>2</sup>	12	4	3	

Coverage chart for the most common tile formats of PORCELANOSA Grupo.

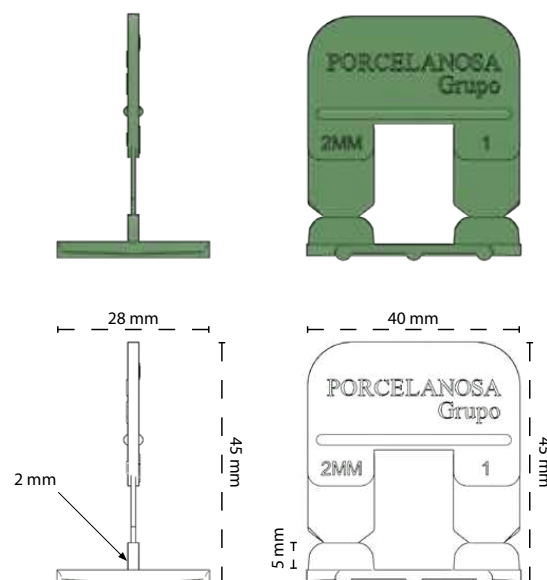
### 0,5 mm self-leveling spacers



### 1 mm self-leveling spacers

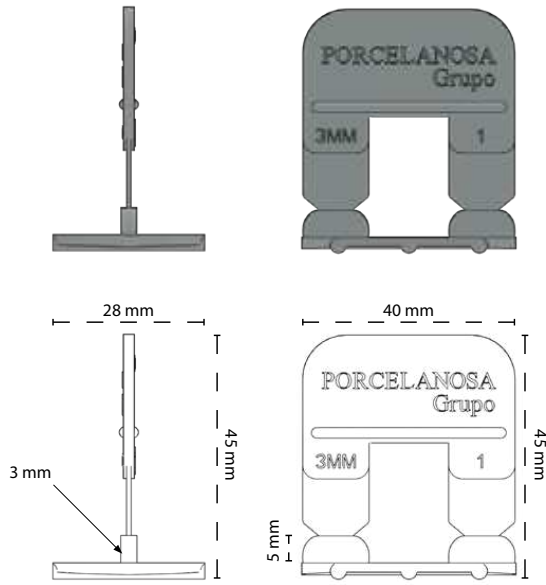


### 2 mm self-leveling spacers

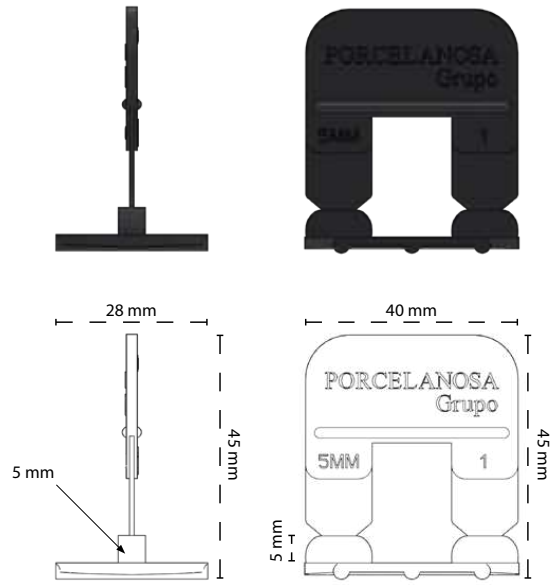


# Self-leveling spacers

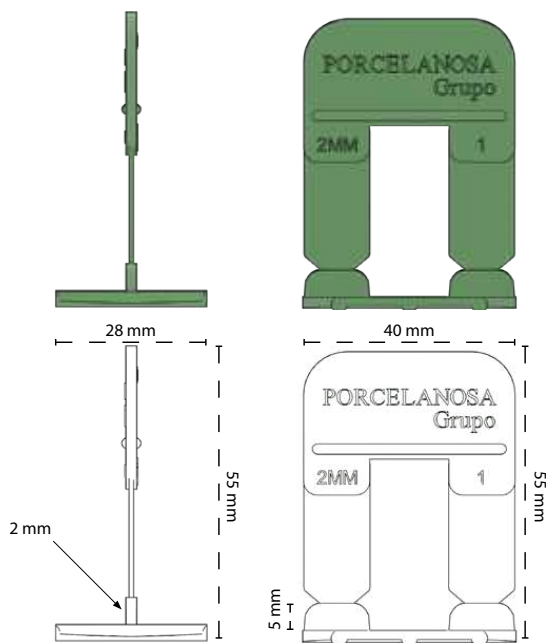
## 3 mm self-leveling spacers



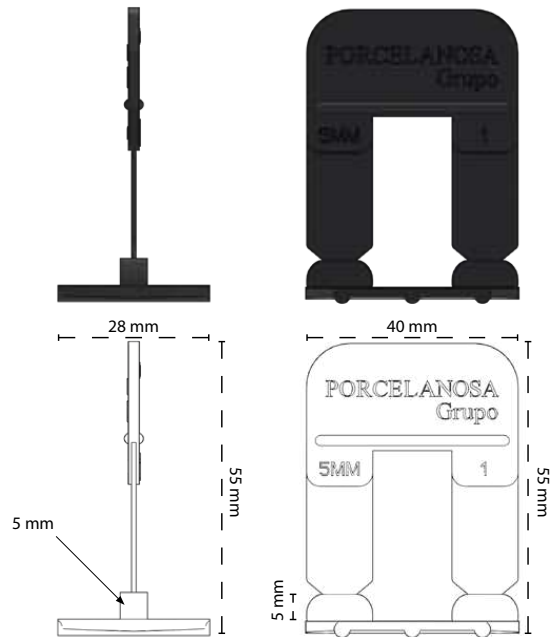
## 5 mm self-leveling spacers



## 2 mm self-leveling spacers + H-20 MM



## 5 mm self-leveling spacers + H-20 MM



SELF-LEVELING SPACERS		0,5 MM	1 MM	2 MM	2 MM H-20 MM	3 MM	5 MM	5 MM H-20 MM
TILE THICKNESS	WEDGE WITHOUT RISE	6 - 15 MM	6 - 15 MM	6 - 15 MM	16 - 22 MM	6 - 15 MM	6 - 15 MM	16 - 22 MM
	WEDGE WITH RISE	3 - 11 MM	3 - 11 MM	3 - 11 MM	13 - 19 MM	3 - 11 MM	3 - 11 MM	13 - 19 MM

## Conditions of the sheet

---

Before using the self-leveling spacers, check that the tile surface is resistant to the process of installation and removal of the spacers.

Check the building codes and national standards in order to respect the joint width indicated for every type of tile installation.

## Presentation

---

SAP	Product	Packaging
100207811	CRUCETA AUTONIVELANTE 0.5MM (1 00 UD)	100 un / bag
100207797	CRUCETA AUTONIVELANTE 0.5MM (300 UD)	300 un / bag
100207740	CRUCETA AUTONIVELANTE 0.5MM (500 UD)	500 un / bag
100108026	CRUCETA AUTONIVELANTE 1MM (100 UD)	100 un / bag
100108027	CRUCETA AUTONIVELANTE 1MM (300 UD)	300 un / bag
100108028	CRUCETA AUTONIVELANTE 1MM (500 UD)	500 un / bag
100108029	CRUCETA AUTONIVELANTE 2MM (100 UD)	100 un / bag
100108030	CRUCETA AUTONIVELANTE 2MM (300 UD)	300 un / bag
100095382	CRUCETA AUTONIVELANTE 2MM (500 UD)	500 un / bag
100225039	CRUCETA AUTO. 2MM H-20MM (B-100UD)	100 ud / bag
100109070	CRUCETA AUTONIVELANTE 3MM (100 UD)	100 un / bag
100109071	CRUCETA AUTONIVELANTE 3MM (300 UD)	300 un / bag
100109072	CRUCETA AUTONIVELANTE 3MM (500 UD)	500 un / bag
100275166	CRUCETA AUTONIVELANTE 5MM (100 UD)	100 un / bag
100275156	CRUCETA AUTONIVELANTE 5MM (300 UD)	300 un / bag
100275138	CRUCETA AUTONIVELANTE 5MM (500 UD)	500 un / bag
100315637	CRUCETA AUTO. 5MM H-20MM (100 UD)	100 un / bag
100315638	CRUCETA AUTO. 5MM H-20MM (300 UD)	300 un / bag
100315639	CRUCETA AUTO. 5MM H-20MM (500 UD)	500 un / bag
100108031	CUÑA AUTONIVELANTE (100 UD)	100 un / bag
100108032	CUÑA AUTONIVELANTE (300 UD)	300 un / bag
100095383	CUÑA AUTONIVELANTE (500 UD)	500 un / bag
100095386	ALICATE PARA CRUCETA AUTONIVELANTE	Unit
100123264	ALZA CRUCETA AUTONIVELANTE XLIGHT	50 un / bag
100213808	KIT SISTEMA CRUCETA AUTONIVELANTE 0,5 MM	
100108034	KIT SISTEMA CRUCETA AUTONIVELANTE 1MM	
100109073	KIT SISTEMA CRUCETA AUTONIVELANTE 2MM	
100109074	KIT SISTEMA CRUCETA AUTONIVELANTE 3MM	
100275157	KIT SISTEMA CRUCETA AUTONIVELANTE 5MM	

**Each kit includes a pair of pincers, a 100 unit bag of spacers and a 100 unit bag of wedges.**