

Sliding rail with water outlet, handshower and 1,50 flexible hose.

TECHNICAL FEATURES

- Presence of water supply connections: Si
- Connection hoses: No
- Water supply connections: G1/2"
- Height: 905 mm
- Width: 120 mm
- Depth: 170 mm
- Customizable product: No
- Handshower presence: Handshower included
- Handshower type: Multijet
- Handshower size: 120 mm
- Handshower jet type: Rainfall, Micro-Rainfall
- Handshower support type: Sliding support
- Handshower hose presence: Yes
- Handshower hose length: 1500 mm
- Hose material: PVC
- Water outlet presence: Water outlet included
- Hole installation spaces: 780 mm

CERTIFICATIONS

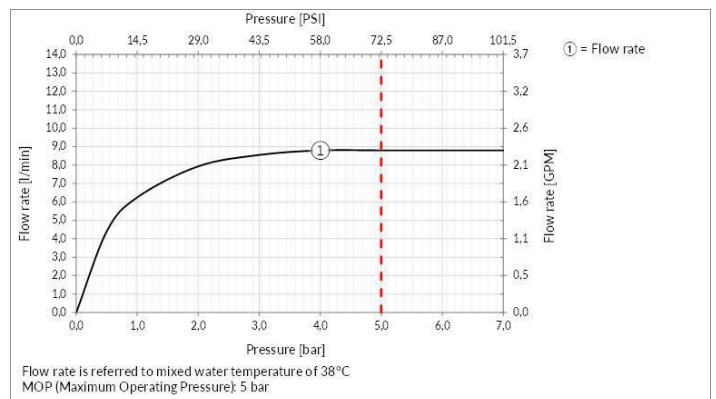
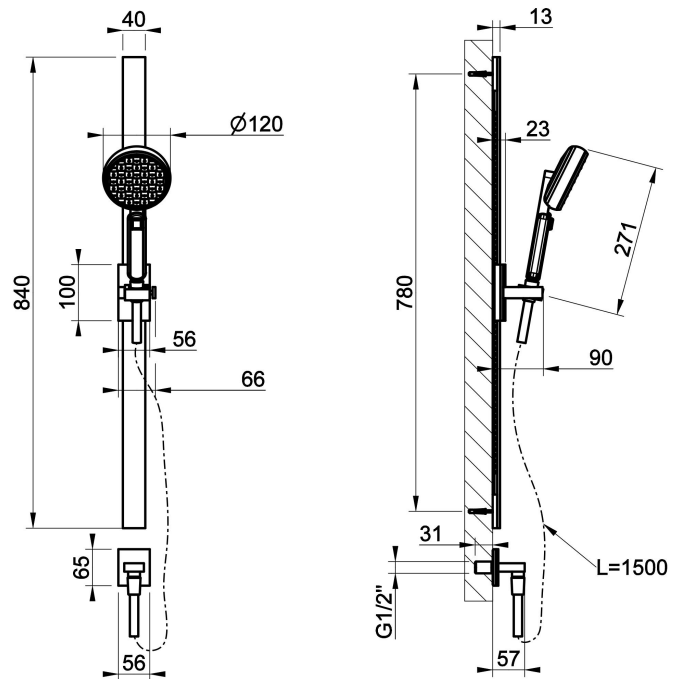
Production managed by a certified Quality System compliant with ISO 9001:2015 For additional approved contact Gessi S.P.A.

INDICATIONS FOR CLEANING

Clean only with a new microfiber cloth and soapy water and dry with a dry cloth. Detergents, solvents, alcohol, abrasive sponges, wire, wool, alcohol, etc., should not be used as these could irreparably damage product surfaces compromising its aesthetics and brilliance.

ACCESSORIES AND FITTINGS

For additional matching bathroom accessories and fittings available, see official Gessi price list.





FINISHES CHARACTERISTICS

CHROME

Gessi products have a Chromium Plating finish. This is a high-quality coating composed of a first layer of nickel, a second layer of chromium, a very shiny appearance, high resistance to corrosion and abrasion.

LAQUERED

Gessi products have an industrial lacquer finish. This coating is obtained by means of a special industrial process that involves spraying the lacquer onto the product with a subsequent firing process at a high temperature. The lacquer used is of the highest quality and ensures maximum resistance and durability. The different lacquer types depend on the product type.

PVD COLORS

Gessi products have a PVD finish. This coating is obtained through the PVD (Physical Vapour Deposition) process, which is a state-of-the-art coating process that is highly resistant to abrasion and corrosion. The process is carried out in a vacuum chamber, where the material to be deposited is heated and vaporized, and then condensed onto the product to be coated. The result is a thin, uniform, and highly resistant film.

STAINLESS STEEL

Gessi products have a solid Stainless Steel finish. This is a very high-quality finish, with a very high resistance to corrosion and abrasion. The finish is obtained by means of a special brushing process, which gives the product a very elegant and modern appearance. The finish is also very easy to clean and maintain.

For additional finishes contact Gessi S.P.A.