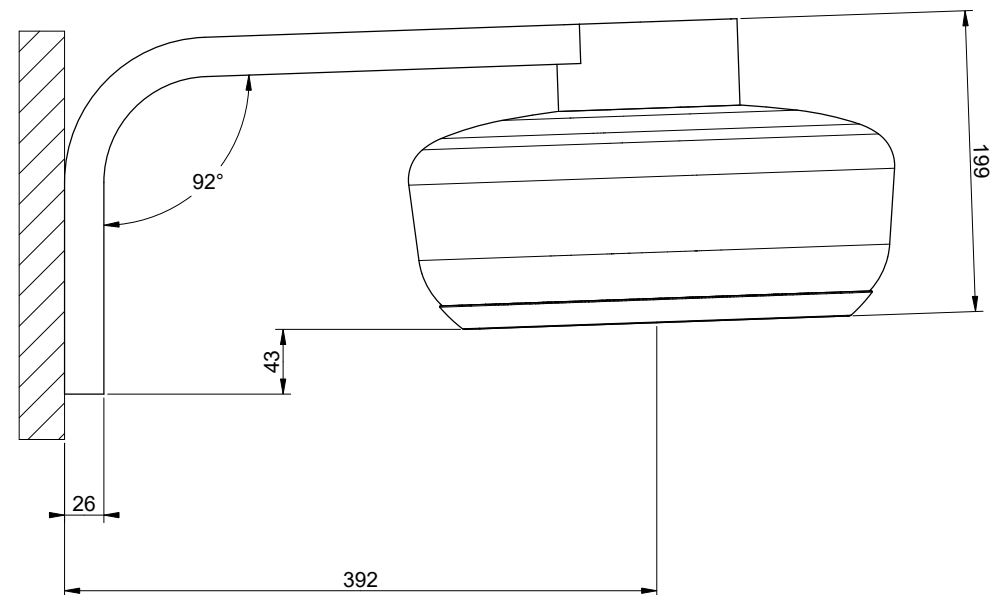
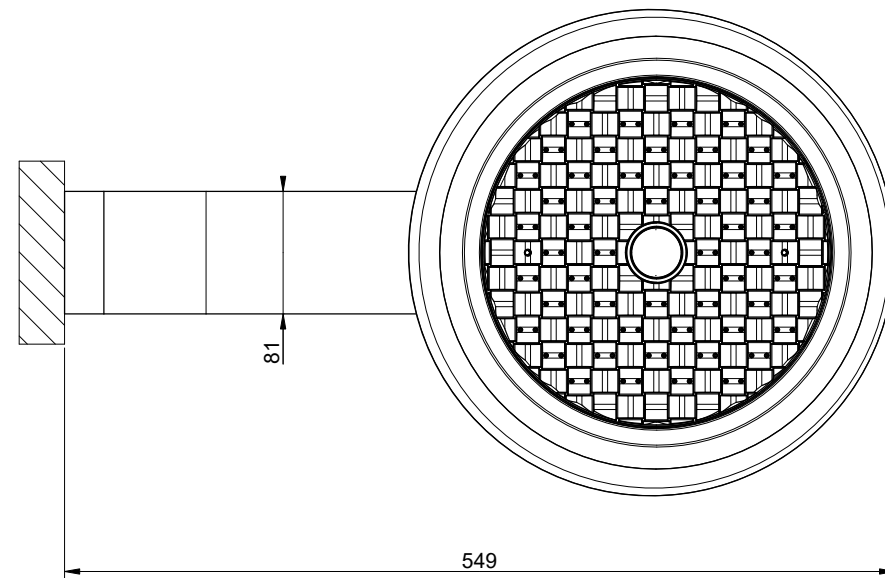
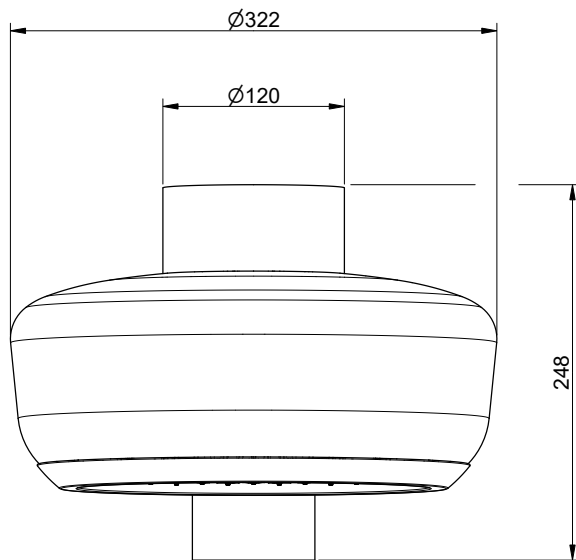




12V DC



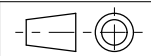
GESI

SENSAZIONI 57404

SOFFIONE PARETE BASSO 1 GETTO

Formato

A4



Dis.: GPF5740400000G000

Gessi S.p.A. Parco Gessi, 13037 Serravalle Sesia (Vercelli) Italy Tel.0039 0163 454111 Fax.0039 0163 453150 www.gessi.com e-mail:gessi@gessi.it

This drawing by its legislation cannot be disclosed or reproduced without a written authorization released by GESSI S.p.A. - 2025 Copyright® GESSI S.p.A.